

## PORTABLE HYDRAULIC POWER

### UNIT MODEL HT75EV

The HT75EV power unit is driven by a 75 HP 460 V, 3Ø, 60 H TEFC electric motor for use where electric power is available. It is designed to drive several of our pumps or other hydraulic equipment and tools.

Control Panel:  
Nema 3R, 75HP, Combination Circuit, Breaker, Start/Stop Push button, 120 VAC, 200 VA, Control Transformer, Pilot Light, Overload Reset (not shown in photo)

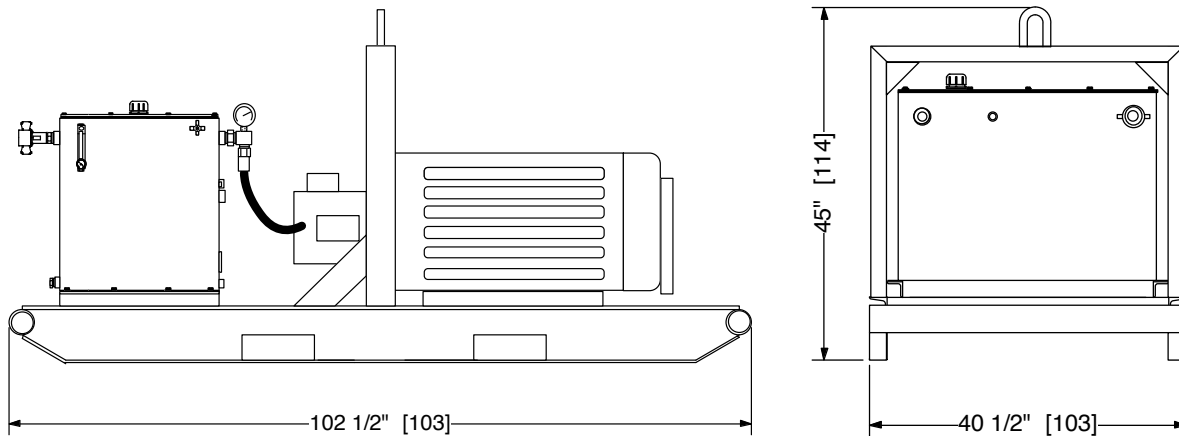


## FEATURES

- Skid Frame Chassis with Fork Slots & Drip Pan
  - Single Point Lifting Bracket
  - Tandam Gear Hydraulic Pumps w/ manifold & Control Valve
  - Case Drain Oil Cooler, Motor Fan Assisted
  - Tethered Pendant for Raise/ Lower Stop winch control
  - Spin-On Return Filter w/ Dust Indicator
  - Tank Top Filler/ Strainer
  - System Relief Valve
  - Pressure Relief
  - Liquid Filled Pressure Gauge
  - Fluid Level/ Temperature Gauge
  - Nema 3 Control Panel w/ remote start/stop
- OPTIONS**
- Low Oil / High Temp Shutdown
  - Water Cooled Heat Exchanger

A1213

## Model HT75EV Overall Dimensions



## SPECIFICATIONS

MOTOR:..... 75 HP 230/460 Volts, 3 Phase, 60 Hz, TEFC  
SPEED:..... 1780 RPM  
FULL LOAD AMPS:..... 250/125  
HYDRAULIC OUTPUT:..... Total, Max. 40 GPM (151 LPM)  
OPERATING PRESSURE:..... Maximum 3000 PSI (206 Bar)  
HOSE PORT SIZE:..... 3/4"  
HYDRAULIC OIL:..... SAE 10W or 20W (ISO 32 or 46) Type AW  
..... also: Biodegradable oil (Consult Factory)  
OIL FILTRATION:..... 10 Micron (Standard)  
OIL RESERVOIR CAPACITY:..... 50 U.S. Gallons (284 Liters)  
DIMENSIONS:.... H 45" (114 cm) x W 40-1/2" (103 cm) x L 102-1/2" (260 cm)\*  
WEIGHT (Dry):..... 1540 lbs. (698 kg)\*

\* Approximate weight and dimensions

Since we are constantly working to improve our products, specifications are subject to change without notice.



167 Stock Street, Nesquehoning, PA 18240 Phone: 570-645-3779 Fax: 570-645-4061

Website: [www.hydra-tech.com](http://www.hydra-tech.com)

E-Mail: [htpump@hydra-tech.com](mailto:htpump@hydra-tech.com)