

30" HYDRAULIC SUBMERSIBLE AXIAL FLOW HIGH VOLUME PUMP

MODEL S30M

30" (76 cm) Discharge

The S30M is designed for pumping high volumes of water at low to medium heads. The mixed flow impeller allows this pump to be used in a wide range of applications including dam construction and Flood control.



FEATURES

- High Volume Axial Flow design
- High Efficiency Mixed Flow Impeller
- Variable Speed hydraulic drive
- Oil Lubricated Seals
- High Efficiency Balanced Vane hydraulic motor
- Safe Hydraulic Drive can be used where electric power is hazardous or impractical
- Operates with our HT400 power unit or other hydraulic power sources capable of flows to 150 GPM

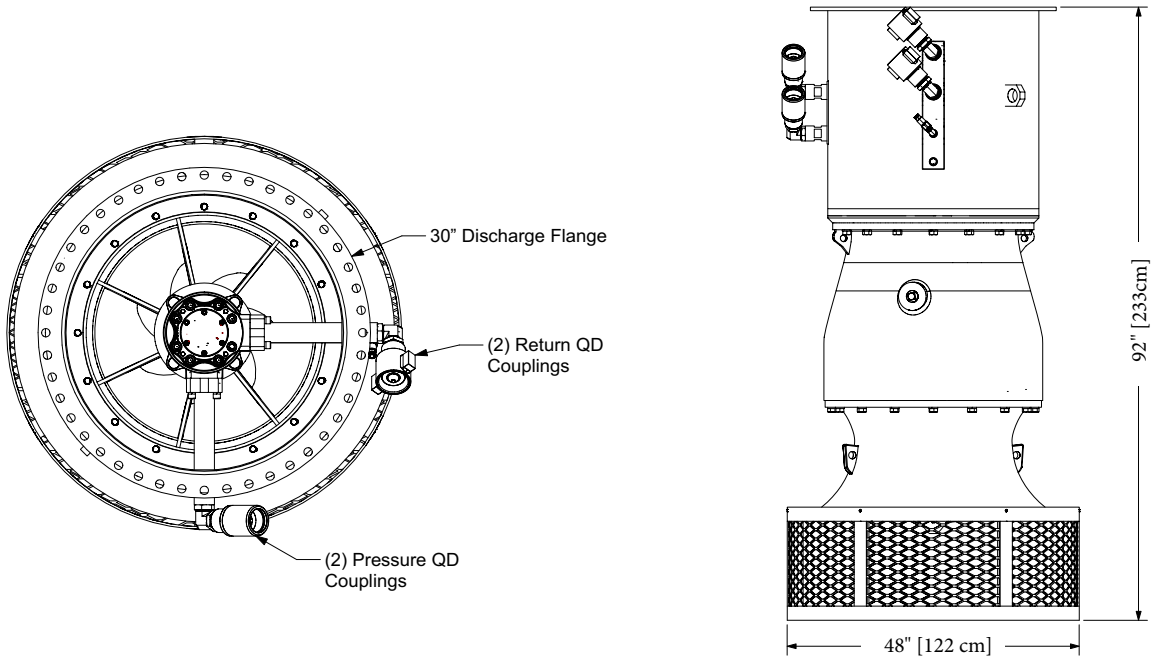
SPECIFICATIONS

WEIGHT:	2871lbs. (1302kg)
HEIGHT:	92" (233cm)
DIAMETER (@ widest point):	48" (122 cm)
DISCHARGE:	30" O.D. Pipe or Flange
SOLIDS HANDLING:	1" (25 mm)
HOSE PORTS:	(4) 1 1/2 "
HYDRAULIC COUPLINGS:	1 1/2 " Wing Nut Style
PUMP BODY:	Cast Iron
IMPELLER:	Bronze
SHAFT:	Stainless Steel
SHAFT SEALS:	Carbon/Sil Carbide (Upper) Silicon Carbide (Lower)
ELASTOMERS:	Buna (Std)
HYDRAULIC OIL:	214-320 s.s.u. @ 100°F (64°C)
INPUT FLOW:	Max. 150 GPM (567 LPM)
OPERATING PRESSURE:	Max. Cont. 3500 PSI (238 Bar)
POWER SOURCE:	Any Open Center Hydraulic System

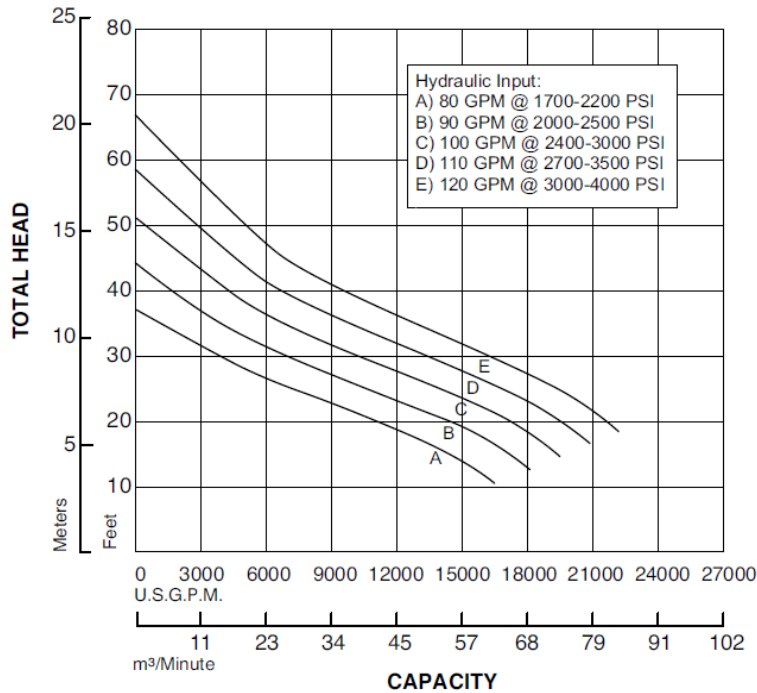
A1016

Specifications are subject to change without notice

Model S30M Overall Dimensions



S30M Maximum Performance



Curves are based on pumping water at 60°F. For performance curves other than shown above, consult factory.



167 Stock Street, Nesquehoning, PA 18240 Phone: 570-645-3779 Fax: 570-645-4061
 Website: www.hydra-tech.com E-Mail: htpump@hydra-tech.com