

6" HYDRAULIC SUBMERSIBLE UTILITY PUMP

MODELS

S6T (Aluminum Body)

S6TDI (Ductile Iron Body)

6" (15 cm) Discharge

The S6T is our most popular 6" Pump. It is lightweight, compact and able to pass large solids, stringy materials and slurries with entrained gases. This versatile, powerful top discharge pump is designed for sewer by-pass jobs, digester cleaning, plant intake desilting and inline pumping. Shut off head to 120 feet.



CE

FEATURES

- Fully Recessed SS Vortex Impeller (will pass 5" semi-solids), SS wear plate and wear ring
- Variable Speed hydraulic drive provides a wide range of performance
- Oil Lubricated Seals (can run dry)
- Tungsten Carbide wear parts available as an option
- Can be bolted directly into a pipeline or used as a booster pump
- Safe Hydraulic Drive can be used where electric power is hazardous or impractical
- Optional silt jetting ring is available for agitating solids into suspension
- Operates with our HT50 to HT75 power units or other hydraulic power sources capable of flows of 15 - 30 GPM
- Stainless Steel model available

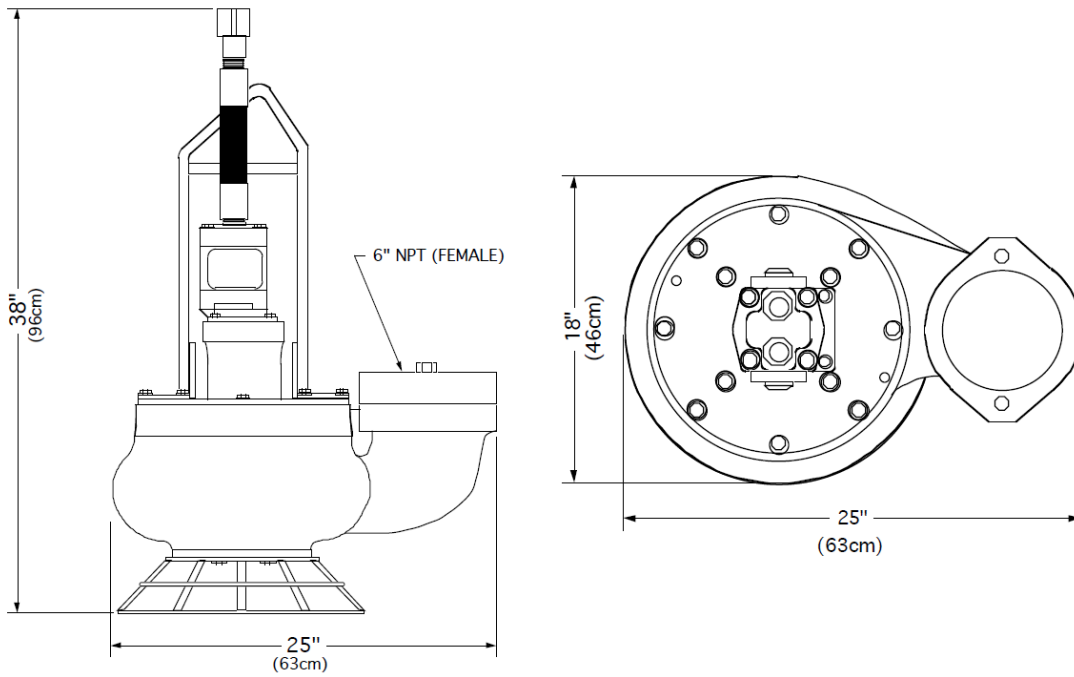
SPECIFICATIONS

WEIGHT: (Aluminum).....	202 lbs. (92 kg)
(Ductile Iron).....	330 lbs. (150 kg)
HEIGHT:.....	38" (96 cm)
WIDTH (@ widest point):.....	25" (63 cm)
DISCHARGE:.....	6" NPT(F)
INLET FLANGE:.....	6", 125# ASA
SOLIDS HANDLING:.....	W/O Strainer 5" (13 cm)
	With Strainer 2 -1/2" (6 cm)
HOSE PORTS:.....	1" (-16) SAE
PUMP BODY: (S6T).....	Heat Treated Aluminum
(S6TDI).....	Ductile Iron
IMPELLER:.....	Stainless Steel
WEAR RING and WEAR PLATE.....	Stainless Steel
SHAFT:.....	Stainless Steel
SHAFT SEAL:.....	Carbon/Ceramic (Std)
	Silicon Carbide (Optional)
ELASTOMERS:.....	Buna N (Std)
HYDRAULIC OIL:.....	214-320 s.s.u. @ 100°F (64°C)
INPUT FLOW:.....	Max 30 GPM (114 LPM)
OPERATING PRESSURE:.....	Max 3000 PSI (204 Bar)
POWER SOURCE:.....	Any Open Center Hydraulic System

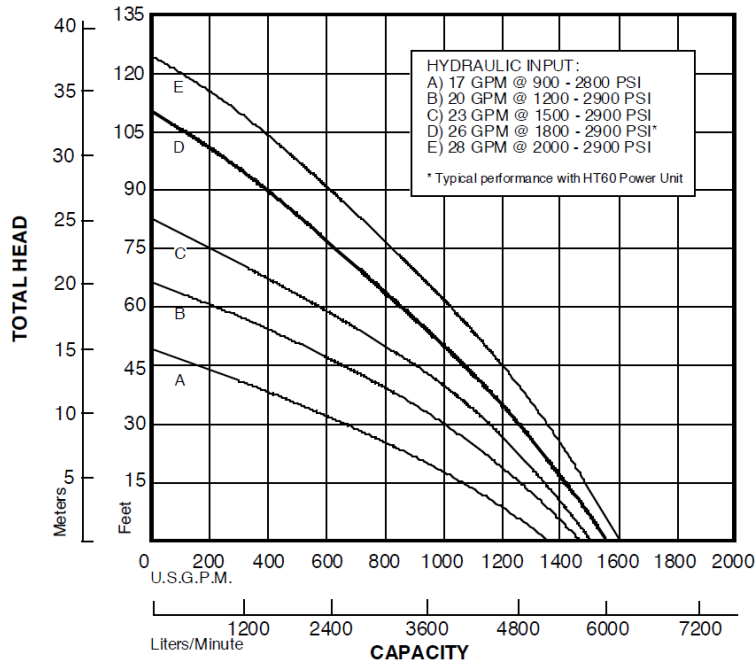
D0516

Specifications are subject to change without notice

Model S6T Overall Dimensions



S6T Typical Performance



Curves are based on pumping water at 60°F. For performance curves other than shown above, consult factory.

