

SILT JETTING RINGS

For 2" 3" 4" 6" and 8" Pumps
Attach to Pump Inlet Flange

These jetting rings are used in conjunction with an external water supply to agitate solid material into suspension to allow the mixture to be pumped. These devices bolt directly to the bottom (inlet flange) of the pump in place of the strainer. (Flange gasket not required or included)



S4THL Pump with Jetting Ring



S6T Pump with Jetting Ring
in use on a creek bed
dredging job



S3T Pump with Jetting Ring
Used on gold mining job

External Water Supply
Fire Hydrant or
Separate Water Pump

Water Flow Required*

2" and 3" Pumps: 75 - 250 GPM
4" to 8" Pumps: 250 - 500 GPM

Water Pressure Required

50 - 150 PSI

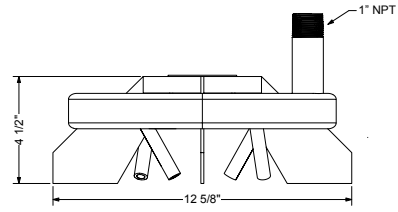
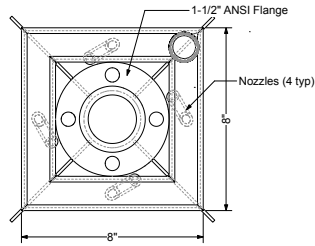
* Input flow to be adjusted on-site
to achieve optimal results

C0915

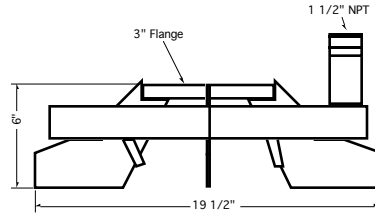
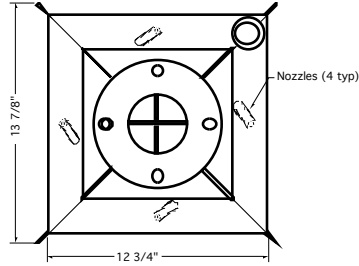
Jetting Ring Dimensions

Specifications are subject to change without notice

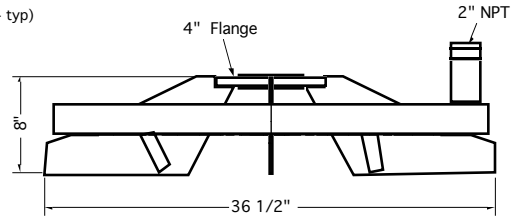
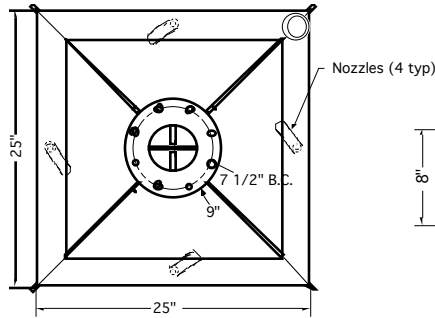
2" Jetting Ring
Fits: 2" Pumps**
Part # 11316



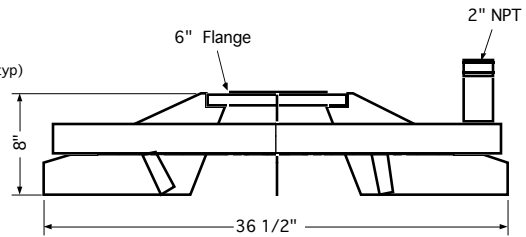
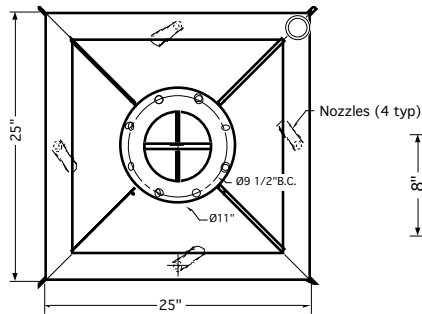
3" Jetting Ring
Fits: 3" Pumps**
Part # 0381



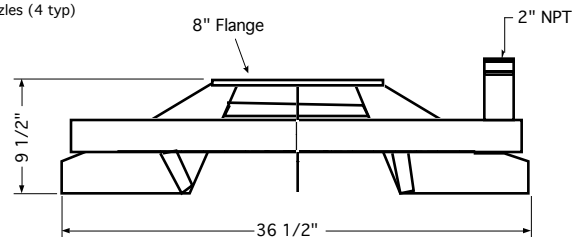
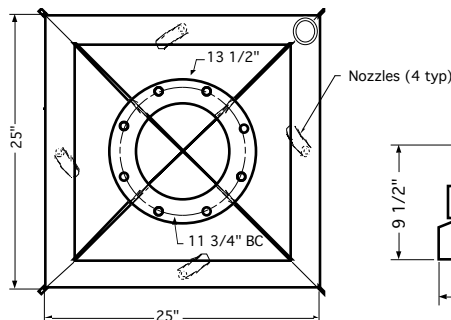
4" Jetting Ring
Fits: 4" Pumps**
Part # 0481



6" Jetting Ring
Fits: 6" Pumps**
Part # 0181



8" Jetting Ring
Fits: 8" Pumps**
Part # 0881



** For pump model compatibility contact Hydra-Tech Pumps



167 Stock Street, Nesquehoning, PA 18240 Phone: 570-645-3779 Fax: 570-645-4061
Website: www.hydra-tech.com E-Mail: htpump@hydra-tech.com