

# 8" HYDRAULIC SUBMERSIBLE AXIAL FLOW HIGH VOLUME PUMP

## MODEL

### S8M

8" (20 cm) Discharge

The S8M offers a cost effective solution for pumping high volumes of water at low to medium heads. This pump is great for retention ponds, flood control, marine salvage and many other jobs that require quick and easy set-up. Low hydraulic inputs yield high output flows.



## FEATURES

- High Volume Axial Flow design
- High Efficiency mixed flow impeller
- Small Overall Size allows for use in tight spaces
- Variable Speed hydraulic drive
- Oil Lubricated Seals (can run dry)
- Dependable gear type hydraulic motor
- Safe Hydraulic Drive can be used where electric power is hazardous or impractical
- Operates with our HT20 to HT35 power units or other hydraulic power sources capable of flows to 18 GPM

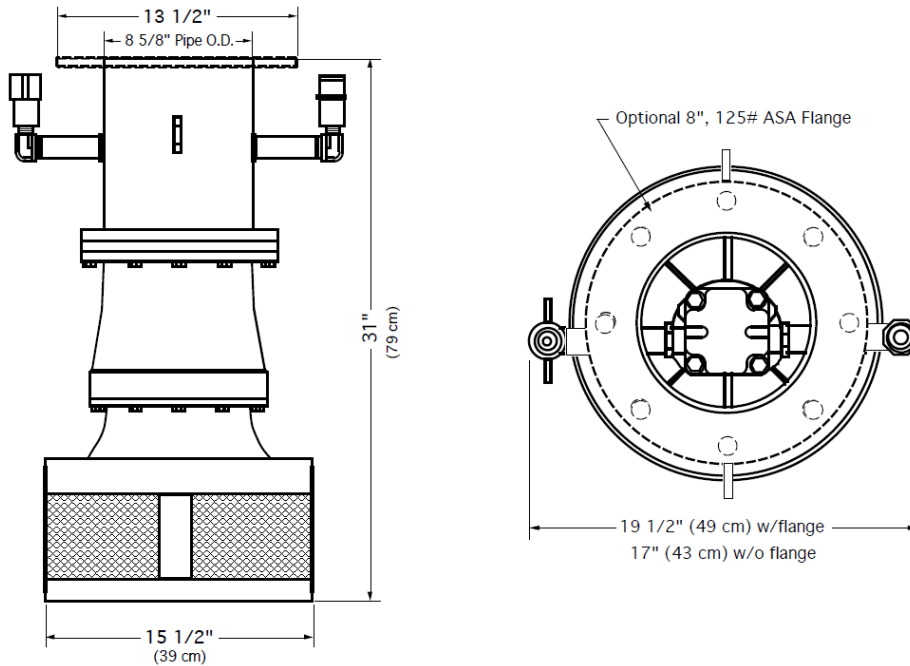
## SPECIFICATIONS

|   |                                  |
|---|----------------------------------|
| WEIGHT:.....                              | 190 lbs. (86 kg)                 |
| HEIGHT:.....                              | 31" (79 cm)                      |
| DIAMETER (@ widest point w/ flange):..... | 18 1/2" (47 cm)                  |
| DISCHARGE:.....                           | 8-5/8" O.D. Pipe or Flange       |
| SOLIDS HANDLING:.....                     | 1" (2.5 cm)                      |
| HOSE PORTS:.....                          | 3/4" NPT                         |
| HYDRAULIC COUPLINGS:.....                 | 3/4" Wing Nut Style              |
| PUMP BODY:.....                           | Cast Iron                        |
| IMPELLER:.....                            | Bronze                           |
| SHAFT:.....                               | Stainless Steel                  |
| SHAFT SEALS:.....                         | Carbon/Ceramic (Std)             |
| ELASTOMERS:.....                          | Buna N (Std)                     |
| HYDRAULIC OIL:.....                       | 214-320 s.s.u. @ 100°F (64°C)    |
| INPUT FLOW:.....                          | Max. 18 GPM (68 LPM)             |
| OPERATING PRESSURE:.....                  | Max. 2800 PSI (190 Bar)          |
| POWER SOURCE:.....                        | Any Open Center Hydraulic System |

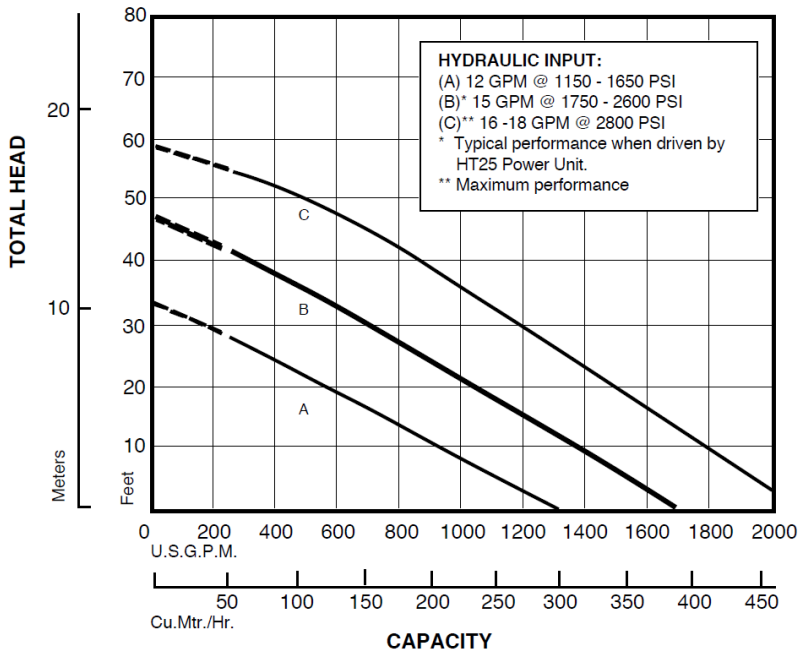
D0516

Specifications are subject to change without notice

## Model S8M Overall Dimensions



## S8M Typical Performance



Curves are based on pumping water at 60°F. For performance curves other than shown above, consult factory.



167 Stock Street, Nesquehoning, PA 18240 Phone: 570-645-3779 Fax: 570-645-4061  
 Website: [www.hydra-tech.com](http://www.hydra-tech.com) E-Mail: [htpump@hydra-tech.com](mailto:htpump@hydra-tech.com)