

8" HYDRAULIC SUBMERSIBLE HIGH PERFORMANCE SOLIDS HANDLING

MODELS

S6200

8" (20 cm) Discharge

The S6200 is a Highly Efficient Solids Handling Effluent Pump for use on jobs such as waste lagoons, sewer by-pass, barge transfer, municipal lift stations and tank pumping. Heads to 220 feet with flows to 3500 GPM. Also used as high volume feed pump for fire suppression mobile systems.



FEATURES

- Balanced High Efficiency Two Vane Closed Channel Impeller
- Will pass 4" (10 cm) semi-solids
- Variable Speed hydraulic drive provides a wide range of performance
- Oil Lubricated Seals (can run dry)
- High Efficiency Balanced Vane hydraulic motor
- Can be bolted directly into a pipeline or used as a booster pump
- Safe Hydraulic Drive can be used where electric power is hazardous or impractical
- Operates with our HT100 to HT200 power units or other hydraulic power sources capable of flows of 50 - 90 GPM

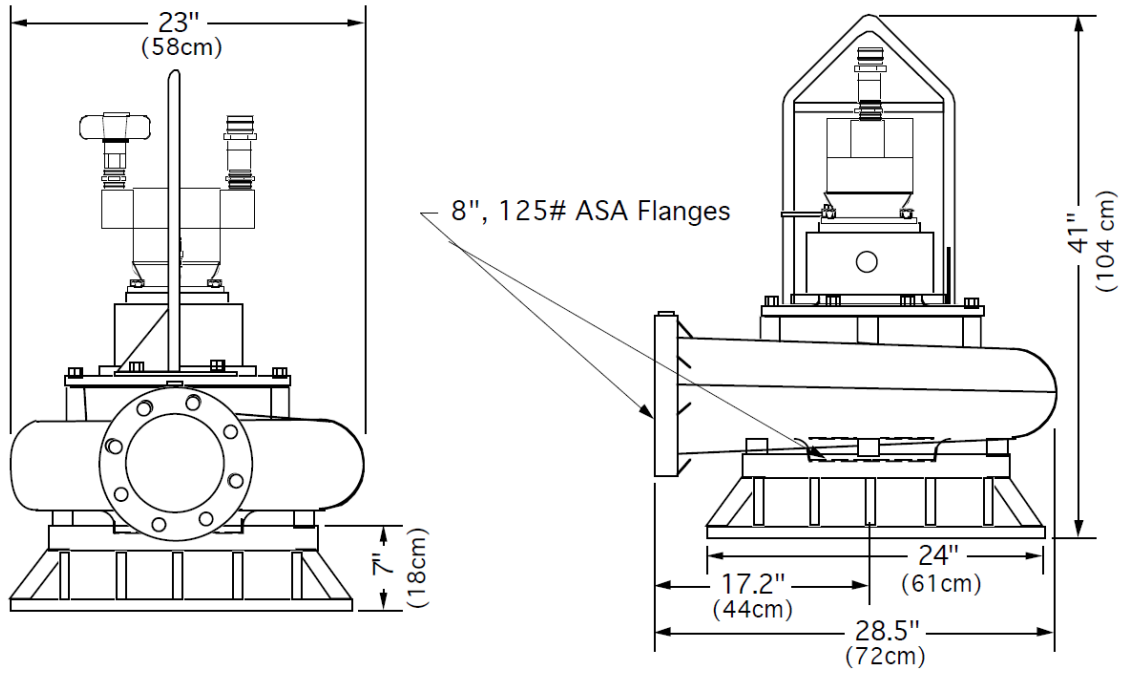
SPECIFICATIONS

WEIGHT:.....	715 lbs. (324 kg)
HEIGHT:.....	41" (104 cm)
WIDTH (@ widest point):.....	28.5" (72 cm)
DISCHARGE:.....	8", 125# ASA Flange
INLET:.....	8", 125# ASA Flange
SOLIDS HANDLING:.....	4" (10 cm)
HOSE PORTS:.....	1-1/4" Code 61 Flange or 1-1/2" NPT (F)
PUMP BODY:.....	Ductile Iron
IMPELLER:.....	Ductile Iron
WEAR RING.....	Ductile Iron
SHAFT:.....	17-4 PH Stainless Steel
SHAFT SEAL:.....	Silicon Carbide
ELASTOMERS:.....	Buna N (Std)
HYDRAULIC OIL:.....	214-320 s.s.u. @ 100°F (64°C)
INPUT FLOW:.....	Max 90 GPM (340 LPM)
OPERATING PRESSURE:.....	Max 3000 PSI (204 Bar)
POWER SOURCE:.....	Any Open Center Hydraulic System

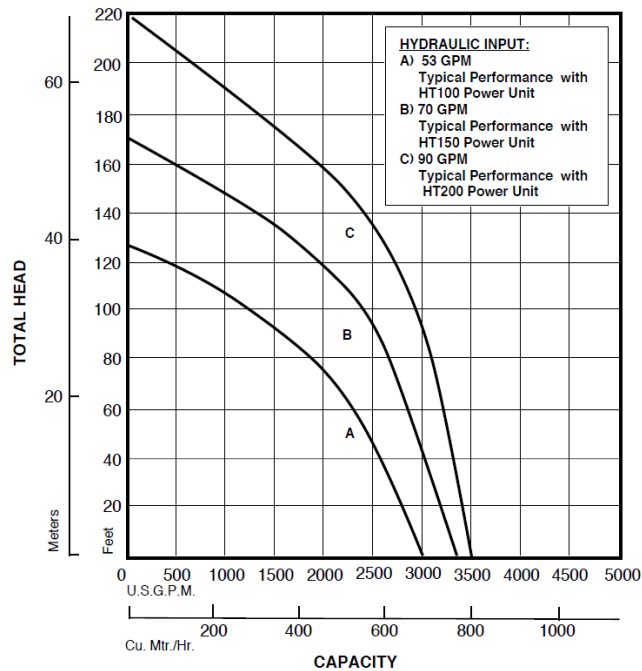
D0516

Specifications are subject to change without notice

Model S6200 Overall Dimensions



S6200 Typical Performance



Curves are based on pumping water at 60°F. For performance curves other than shown above, consult factory.

