

4" HYDRAULIC SUBMERSIBLE TRASH PUMP

MODELS

S4T

4" (10 cm) Discharge

The first generation S4T dates back to 1979 and is our most versatile 4" pump. It is rugged, compact and able to pass large solids. This pump is designed to tackle many jobs ranging from general construction site de-watering to sewage and slurry pumping.



FEATURES

- 2-Vane Channel Impeller (will pass 3" (75 mm) semi-solids)
- Oil Lubricated Seals (can run dry)
- Variable Speed hydraulic drive
- Wide Range of performance
- Can be used as a booster pump
- Safe Hydraulic Drive can be used where electric power is hazardous or impractical
- Dependable gear type hydraulic motor
- Operates with our HT15 to HT25 power units or other hydraulic power sources capable of flows of 10 - 16 GPM
- Stainless Steel model available

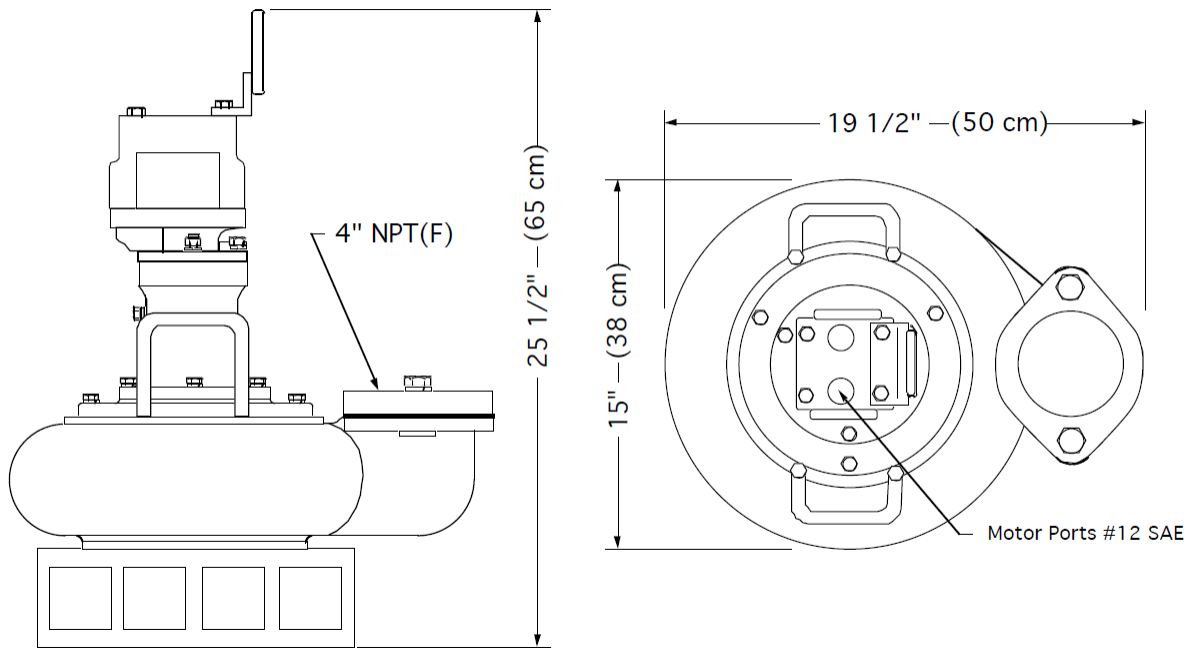
SPECIFICATIONS

WEIGHT:	140 lbs. (63 kg)
HEIGHT:	25-1/2" (65 cm)
WIDTH (@ widest point):	19-1/2" (50 cm)
DISCHARGE:	4" NPT(F)
INLET FLANGE:	4", 125# ASA
SOLIDS HANDLING:	3" (7.6 cm)
HOSE PORTS:	3/4" (-12) SAE(F)
PUMP BODY:	Ductile Iron
IMPELLER:	Ductile Iron
SHAFT:	Stainless Steel
SHAFT SEAL:	Carbon/Ceramic (Std.) Silicon Carbide (Opt.)
ELASTOMERS:	Buna N (Std)
HYDRAULIC OIL:	214-320 s.s.u. @ 100°F (64°C)
INPUT FLOW:	Max. 16 GPM (60 LPM)
OPERATING PRESSURE:	Max. 3000 PSI (204 Bar)
POWER SOURCE:	Any Open Center Hydraulic System

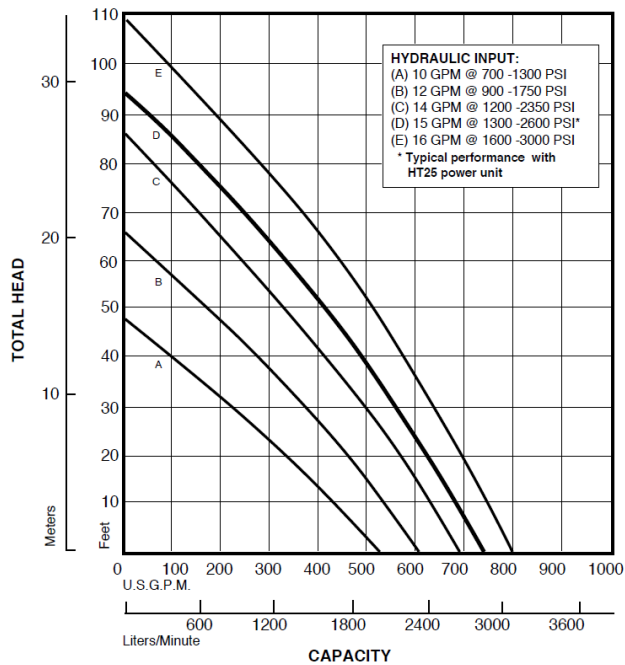
D0516

Specifications are subject to change without notice

Model S4T Overall Dimensions



S4T Typical Performance



Curves are based on pumping water at 60°F. For performance curves other than shown above, consult factory.

