

4" HYDRAULIC SUBMERSIBLE CENTRIFUGAL SCREW PUMP

MODEL S4SCR

4" (10 cm) Discharge

The S4SCR is ideal for pumping high viscosity liquids such as crude oils, latex, molasses and refinery wastes using a positive displacement screw. When pumping lighter materials, the impeller acts as a centrifugal type providing high volume outputs.



FEATURES

- Lightweight and powerful
- Unique Centrifugal Screw Impeller for pumping of liquids with higher viscosities
- Small Overall Size allows for use in confined spaces
- Oil Lubricated Seals (can run dry)
- Can be used inline as a booster pump
- Safe Hydraulic Drive can be used where electric power is hazardous or impractical
- Operates with our HT16 to HT35 power units or other hydraulic power sources capable of flows of 7 - 12 GPM
- High Efficiency bent axis motor



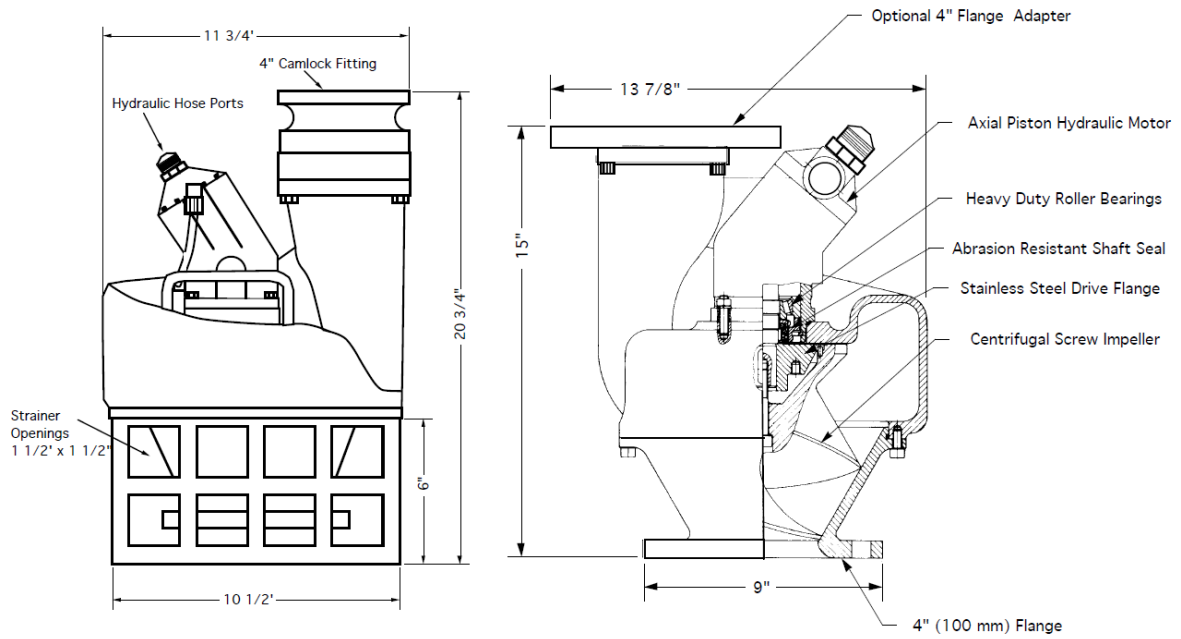
SPECIFICATIONS

WEIGHT:.....	54 lbs. (25 kg)
HEIGHT:.....	20 3/4" (53 cm)
DIAMETER (@ widest point):.....	11 3/4" (30 cm)
DISCHARGE:.....	4" Camlock or Flange Adaptor
INLET FLANGE:.....	4" 125# ASA or 100 mm metric
SOLIDS HANDLING:.....	2" (5 cm)
	1-3/4" with strainer
HOSE PORTS:.....	3/4" JIC (M)
PUMP BODY:.....	Seawater Resistant Aluminum
IMPELLER / SCREW:.....	Nodular Cast Iron
SUCTION CASE:.....	Ceramic Coated
ELASTOMERS:.....	Buna (Std)
HYDRAULIC OIL:.....	214-320 s.s.u. @ 100°F (64°C)
INPUT FLOW:.....	Max. 12 GPM (45 LPM)
OPERATING PRESSURE:..	Max. 4000 PSI (272 Bar)
POWER SOURCE:..	Any Open Center Hydraulic System

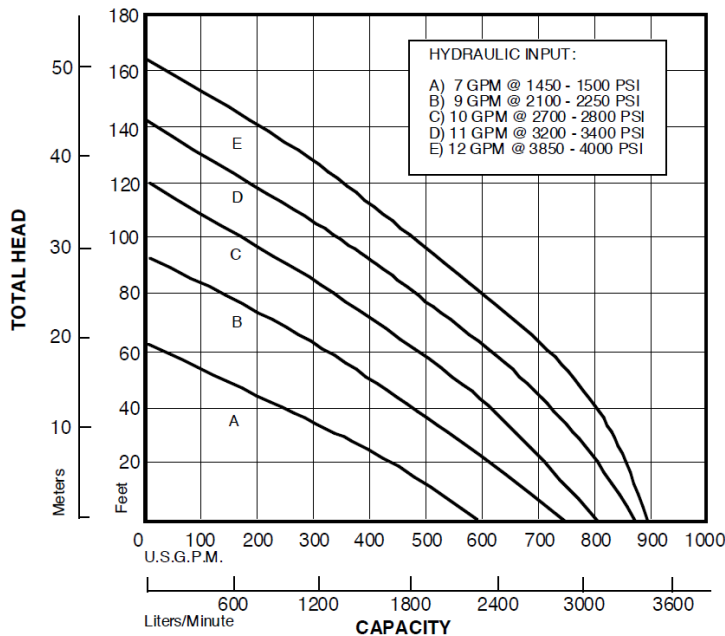
D0516

Specifications are subject to change without notice

Model S4SCR Overall Dimensions



S4SCR Typical Performance



Curves are based on pumping water at 60°F. For performance curves other than shown above, consult factory.



167 Stock Street, Nesquehoning, PA 18240 Phone: 570-645-3779 Fax: 570-645-4061
 Website: www.hydra-tech.com E-Mail: htpump@hydra-tech.com