

3" HYDRAULIC SUBMERSIBLE HIGH PERFORMANCE PUMP

MODEL

S3CHL

3" X 2" (7.5 cm x 5 cm)

The S3CHL is ideal where small size, yet high performance pumping is required. The 1 1/4 in. diameter size and intrinsically safe hydraulic drive allow this pump to be installed in areas previously considered inaccessible. Applications include portable firefighting, mine and deepwell de-watering, barge and ship cargo pumping, tank stripping, irrigation, piling and dock jetting, and in-line booster pumping.



FEATURES

- Compact, Powerful pump for High-Head applications
- Variable Speed hydraulic drive
- Oil Lubricated Seals (can run dry)
- Will pass through a 12 inch "Butterworth" opening or Deepwell Casing
- Can be bolted directly to a tank or truck
- Safe Hydraulic Drive can be used where electric power is hazardous or impractical
- High Efficiency piston hydraulic motor
- Operates with our HT50 to HT100 power units or other hydraulic power sources capable of flows of 15-30 GPM
- Stainless Steel & Aluminum models available

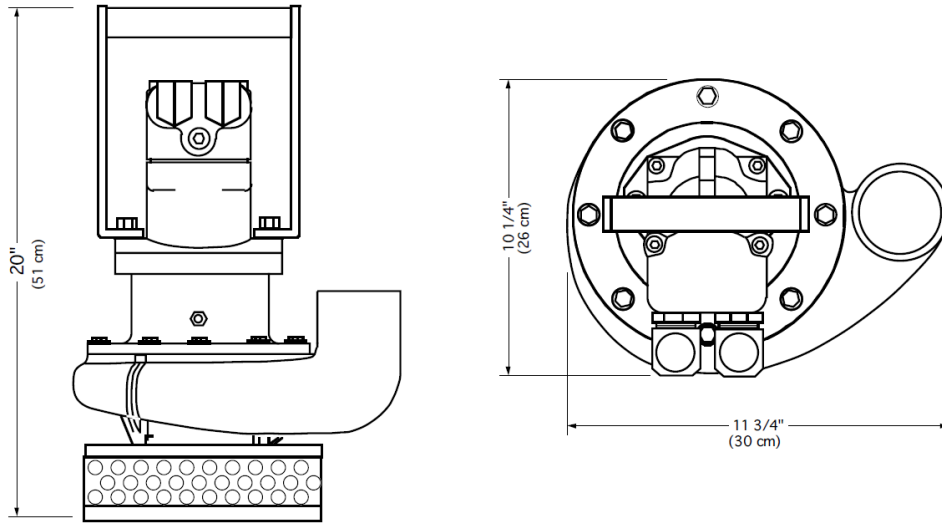
SPECIFICATIONS:

| | |
|------------------------------|--|
| WEIGHT: EWLOHUR | 88 lbs. (40 kg) |
| OELE | OEVE |
| HEIGHT:..... | 20" (51 cm) |
| WIDTH (@ widest point):..... | 11 3/4" (30 cm) |
| DISCHARGE:..... | 2" NPT(F) |
| INLET FLANGE:..... | 3" 125# ASA |
| HOSE PORTS:..... | 3/4" SAE (-12) or NPT (F) |
| PUMP BODY: | Ductile Iron |
| IMPELLER:..... | Bronze |
| WEAR RINGS:..... | (2) Bronze |
| SHAFT:..... | Stainless Steel |
| SHAFT SEAL:..... | Carbon/Ceramic(Std) |
| ELASTOMERS:..... | Buna N (Std) |
| HYDRAULIC OIL:..... | SAE 10W or 20W Type AW |
| | also: Dextron ATF or Biodegradable Oil |
| INPUT FLOW:..... | Max. 30 GPM (114 LPM) |
| OPERATING PRESSURE:..... | Max 3500 PSI (241 Bar) |
| POWER SOURCE:.. | Any Open Center Hydraulic System |

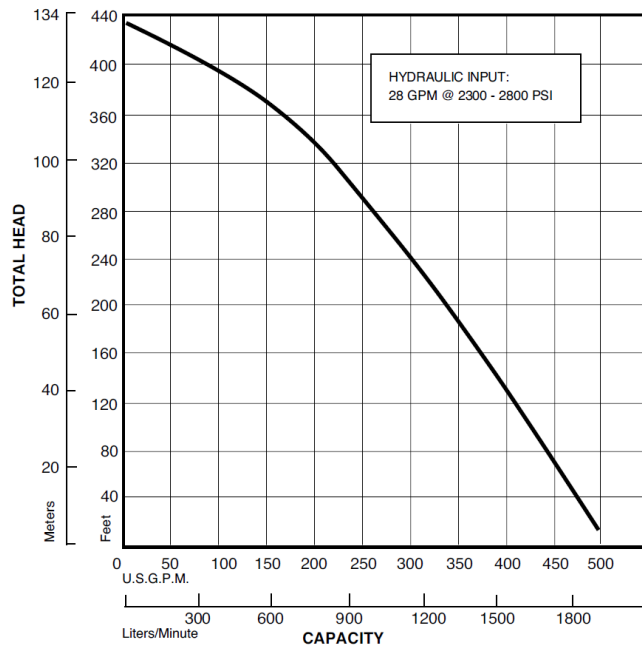
D0516

Specifications are subject to change without notice

Model S3CHL Overall Dimensions



S3CHL Typical Performance



Curves are based on pumping water at 60°F. For performance curves other than shown above, consult factory.



167 Stock Street, Nesquehoning, PA 18240 Phone: 570-645-3779 Fax: 570-645-4061
 Website: www.hydra-tech.com E-Mail: htpump@hydra-tech.com