

18" HYDRAULIC SUBMERSIBLE AXIAL FLOW HIGH VOLUME PUMP

MODEL

S18M

18" (45 cm) Discharge

The S18M is designed for pumping high volumes of water at low to medium heads. The mixed flow impeller allows this pump to be used in a wide range of applications including lake draining, stream by-pass, flood control, drydock, foundation and cofferdam de-watering. Also used to create flooded wildlife habitats.



FEATURES

- High Volume Axial Flow design
- High Efficiency mixed flow impeller
- Small Overall Size allows for use in tight spaces
- Variable Speed hydraulic drive
- Oil Lubricated Seals (can run dry)
- High Efficiency Balanced Vane hydraulic motor
- Safe Hydraulic Drive can be used where electric power is hazardous or impractical
- Operates with our HT100 to HT150 power units or other hydraulic power sources capable of flows of 50 - 70 GPM

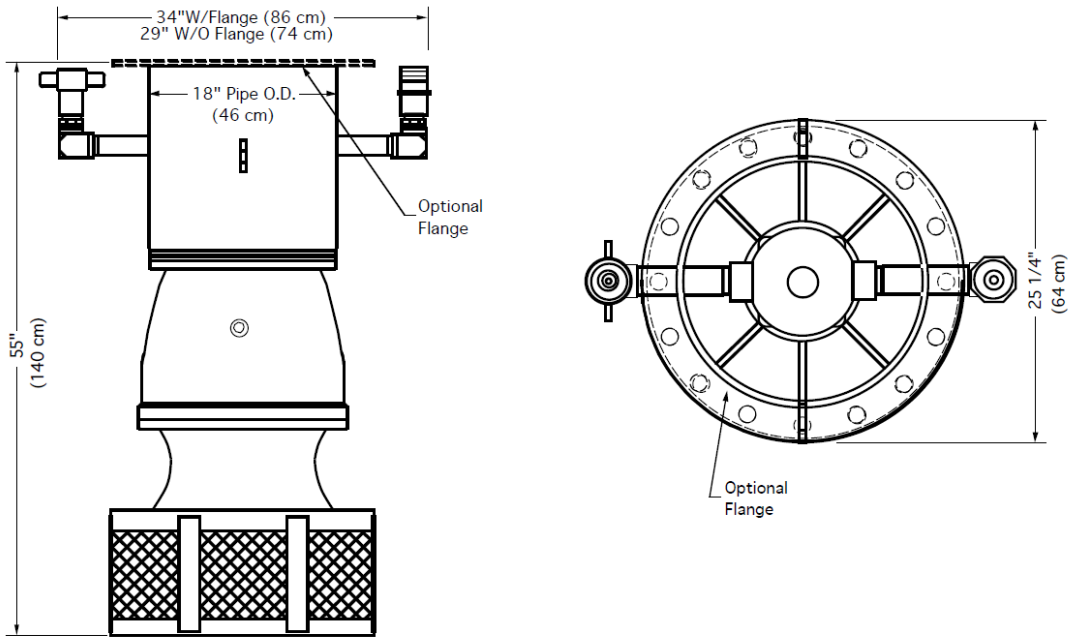
SPECIFICATIONS

WEIGHT:.....	920 lbs. (418 kg)
HEIGHT:.....	55" (140 cm)
DIAMETER (@ widest point):.....	40 1/2" (103 cm)
DISCHARGE:.....	18" O.D. Pipe or Flange
SOLIDS HANDLING:.....	1" (25 mm)
HOSE PORTS:.....	1 1/2" NPT
HYDRAULIC COUPLINGS:.....	1 1/2" Wing Nut Style
PUMP BODY:.....	Cast Iron
IMPELLER:.....	Bronze
SHAFT:.....	Stainless Steel
SHAFT SEALS:.....	Carbon/Ceramic (Std)
ELASTOMERS:.....	Buna N (Std)
HYDRAULIC OIL:.....	214-320 s.s.u. @ 100°F (64°C)
INPUT FLOW:.....	Max. 70 GPM (265 LPM)
OPERATING PRESSURE:...	Max. Cont. 2500 PSI (170 Bar)
POWER SOURCE:.....	Any Open Center Hydraulic System

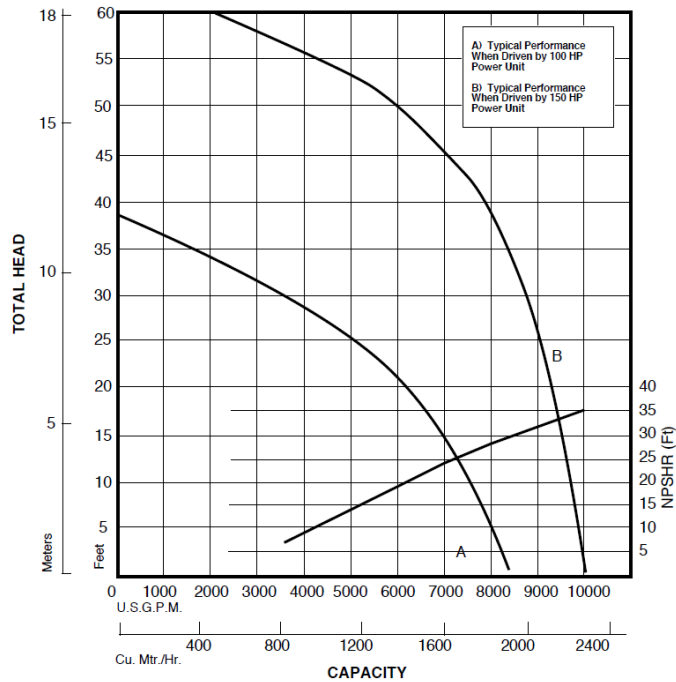
D0516

Specifications are subject to change without notice

Model S18M Overall Dimensions



S18M Typical Performance



Curves are based on pumping water at 60°F. For performance curves other than shown above, consult factory.



167 Stock Street, Nesquehoning, PA 18240 Phone: 570-645-3779 Fax: 570-645-4061
 Website: www.hydra-tech.com E-Mail: htpump@hydra-tech.com