

3" HYDRAULIC SUBMERSIBLE SLUDGE / SLURRY PUMP

MODELS

S3VHL (Aluminum Body)

S3VHLDI (Ductile Iron Body)

3" (7.6 cm) Discharge

The S3VHL is designed to pump sludge, slurries and liquids with stringy solids. Uses for this pump include liquid manure pumping, water treatment slurries and clarifier tanks. This versatile pump is offered in aluminum or ductile iron construction. Shut off head at 160 feet.



FEATURES

- Big Performance with small hydraulic input
- Small Overall Size allows pump to fit through a 20" diameter opening
- Oil Lubricated Seals (can run dry)
- Variable Speed hydraulic drive
- Fully Recessed SS Vortex Impeller (will pass 3" semi-solids)
- Can be bolted directly into a pipeline or fitted with a suction hose for underwater diver assisted dredging
- Tungsten Carbide Coated wear parts, available as an option
- Dependable gear motor
- Operates with our HT16 to HT35 power units or other hydraulic power sources capable of flows of 10 - 18 GPM
- Stainless Steel available

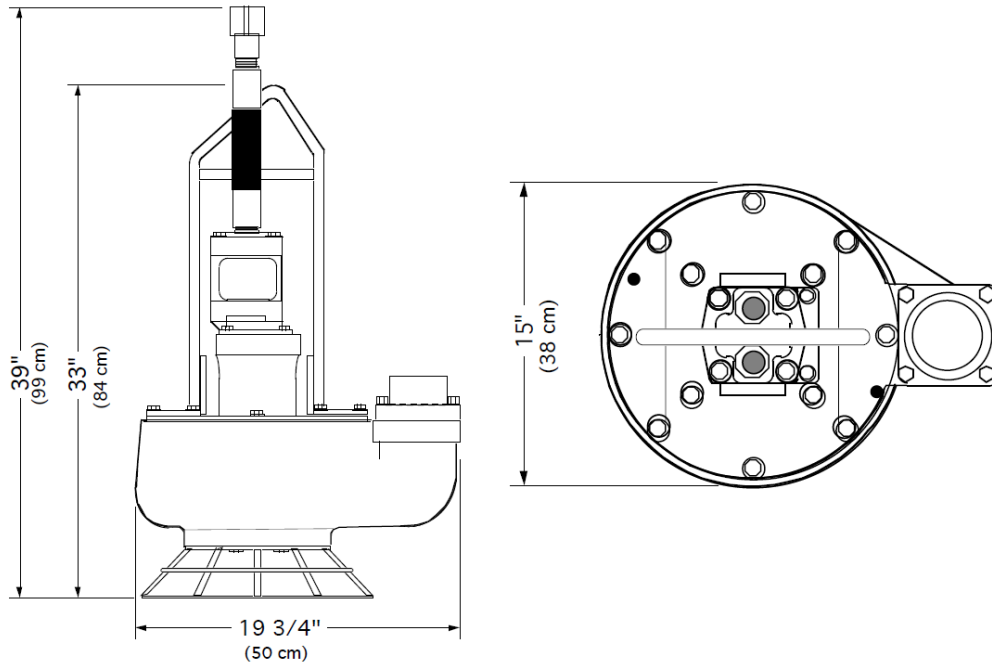
SPECIFICATIONS

WEIGHT: (Aluminum).....	176 lbs. (80 kg)
(Ductile Iron).....	289 lbs. (131 kg)
HEIGHT:.....	33" (84 cm)
WIDTH(@ widest point):.....	19 3/4" (50 cm)
DISCHARGE:.....	3", NPT(F)
INLET FLANGE:.....	Drilled for 3" and 4", 125# ASA
SOLIDS HANDLING:.....	3" (7.6 cm)
HOSE PORTS:.....	1" (-16) SAE
PUMP BODY: (S3VHL).....	Heat Treated Aluminum
(S3VHLDI).....	Ductile Iron
IMPELLER:.....	Stainless Steel
WEAR RING and WEAR PLATE.....	Stainless Steel
SHAFT:.....	Stainless Steel
SHAFT SEAL:.....	Carbon/Ceramic (Std)
	Silicon Carbide (Optional)
ELASTOMERS:.....	Buna N (Std)
HYDRAULIC OIL:.....	214-320 s.s.u. @ 100°F (64°C)
INPUT FLOW:.....	Max 18 GPM (68 LPM)
OPERATING PRESSURE:.....	Max 3000 PSI (204 Bar)
POWER SOURCE:.....	Any Open Center Hydraulic System

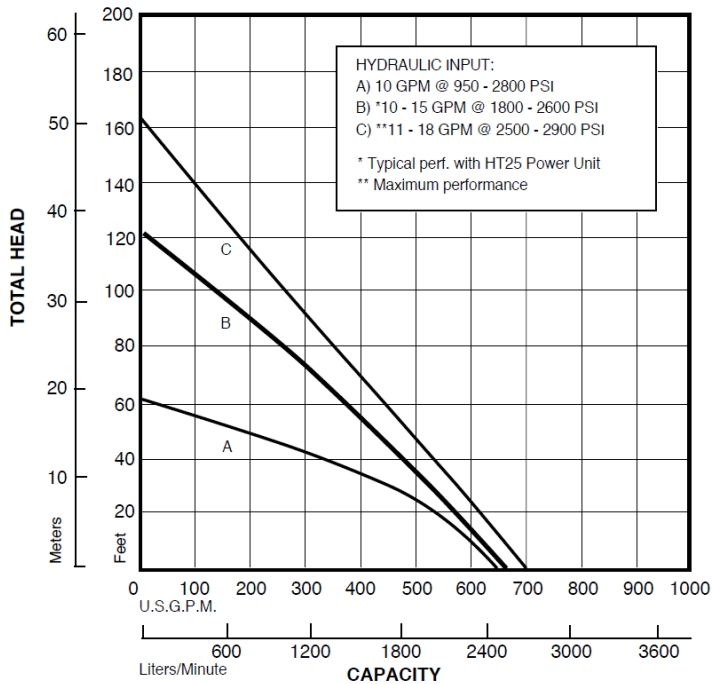
D0516

Specifications are subject to change without notice

Model S3VHL Overall Dimensions



S3VHL Typical Performance



Curves are based on pumping water at 60°F. For performance curves other than shown above, consult factory.