

3" HYDRAULIC SUBMERSIBLE UTILITY PUMP

MODELS

S3TCDI (Ductile Iron Body)

S3TC (Aluminum Body)

3" (EP) Discharge

The S3TC is a very portable and versatile all purpose utility pump designed for pumping jobs like construction sites, manhole pumping and oil skimming. An efficient channel impeller offers excellent overall performance. This pump is offered in your choice of aluminum or ductile iron body.



CE

FEATURES

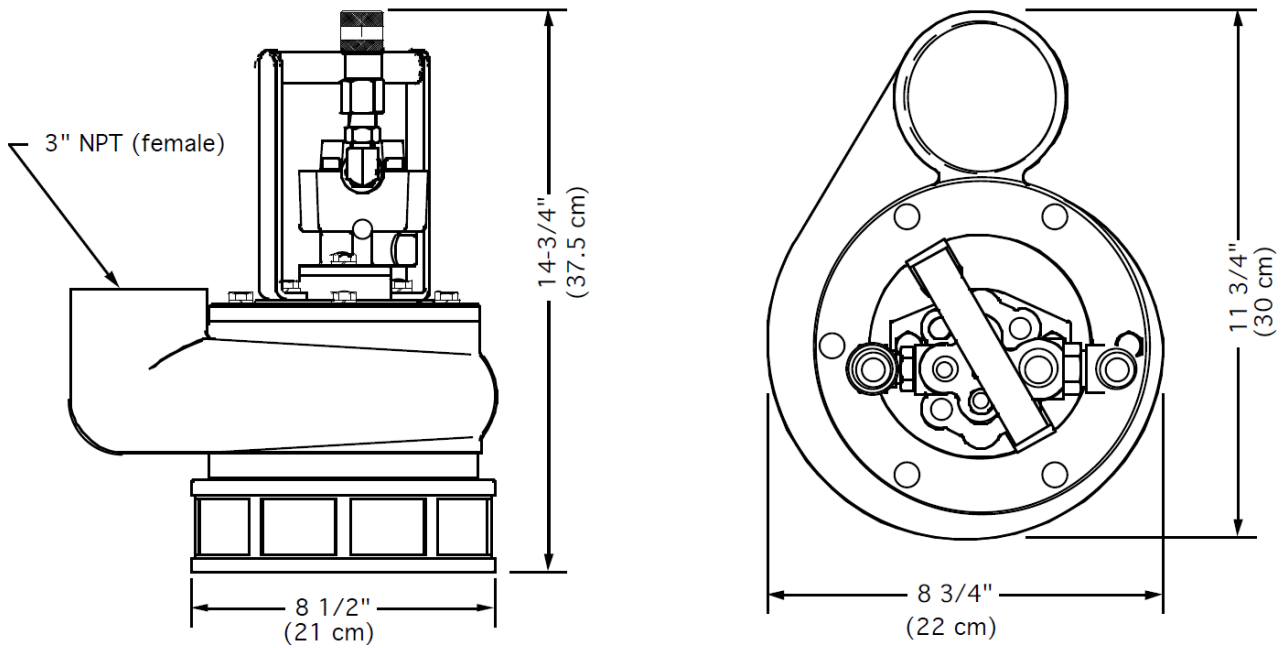
- Stainless Steel Channel Impeller
- Oil Lubricated Seals (can run dry)
- Variable Speed hydraulic drive
- Small overall size for use in tight spaces
- Can be bolted directly to a tank or truck
- Safe hydraulic drive can be used where electric power is hazardous or impractical
- Dependable gear type hydraulic motor
- Operates with our HT11 to HT13 power units or other hydraulic power sources capable of flows of 5-8 GPM
- Stainless Steel model available

SPECIFICATIONS

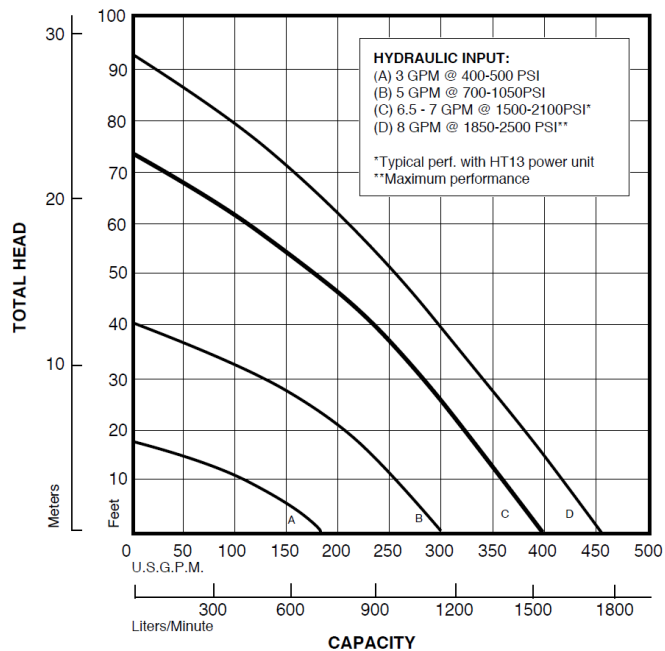
WEIGHT S3TC:	28 lbs. (13 kg)
S3TCDI:	52 lbs. (24 kg)
HEIGHT:	14" (36 cm)
WIDTH (@ widest point):	11 3/4" (30 cm)
DISCHARGE:	3" NPT(F)
INLET FLANGE:	3" 125# ASA
SOLIDS HANDLING:	3/4" (2 cm)
HOSE PORTS:	1/2" NPT (F)
PUMP BODY S3TC:	Aluminum
S3TCDI:	Ductile Iron
IMPELLER:	Stainless Steel
WEAR RING:	Ductile Iron
WEAR PLATE:	Steel
SHAFT:	Plated 4140 Steel
SHAFT SEAL:	Carbon/Ceramic (Std)
ELASTOMERS:	Buna N (Std)
HYDRAULIC OIL:	214-320 s.s.u. @ 100°F (64°C)
INPUT FLOW:	Max. 8 GPM (30 LPM)
OPERATING PRESSURE:	Max. 2500 PSI (170 Bar)
POWER SOURCE:	Any Open Center Hydraulic System

D0516

Model S3TC Overall Dimensions



S3TC Typical Performance



Curves are based on pumping water at 60°F. For performance curves other than shown above, consult factory.

