

3" HYDRAULIC SUBMERSIBLE VORTEX FLOW TRASH PUMP

MODELS

S3T (Aluminum Body)

S3TDI (Ductile Iron Body)

3" (8 cm) Discharge

Our S3T, most popular model, is designed for jobs like construction sites and manhole pumping where lightweight, high volume, trash pumps are needed. It passes through a 12" opening and can pump in debris laden areas. A small hole strainer is available for limiting solids to be pumped.



FEATURES

- Copied but not duplicated by Desmi, Hycon and others
- Stainless Steel Vortex Flow Impeller
- Oil Lubricated Seals (can run dry)
- Variable Speed hydraulic drive
- Small overall size for use in tight spaces
- Can be bolted directly into a pipeline
- Safe Hydraulic Drive can be used where electric power is hazardous or impractical
- Dependable gear type hydraulic motor
- Operates with our HT11 to HT13 power units or other hydraulic power sources capable of flows of 5-8 GPM
- Stainless Steel model available

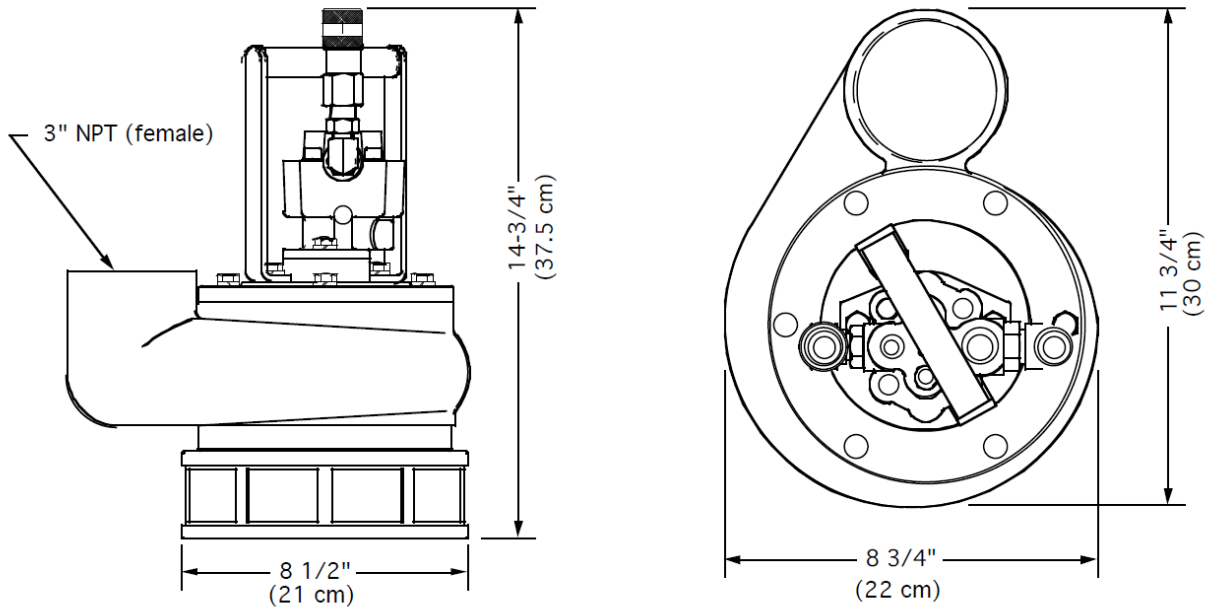
SPECIFICATIONS

WEIGHT S3T:.....	25 lbs. (11 kg)
S3TDI:.....	48 lbs. (22 kg)
HEIGHT:.....	14" (36 cm)
WIDTH (@ widest point):.....	11 3/4" (30 cm)
DISCHARGE:.....	3" NPT(F)
INLET FLANGE:.....	3", 125# ASA
SOLIDS HANDLING:.....	2 1/2" (6 cm)
HOSE PORTS:.....	1/2" NPT (F)
PUMP BODY S3T:.....	Aluminum
S3TDI:.....	Ductile Iron
IMPELLER:.....	Stainless Steel
WEAR RING:.....	Ductile Iron
SHAFT:.....	Plated 4140 Steel
SHAFT SEAL:.....	Carbon/Ceramic (Std)
ELASTOMERS:.....	Buna N (Std)
HYDRAULIC OIL:.....	214-320 s.s.u. @ 100°F (64°C)
INPUT FLOW:.....	Max. 8 GPM (30 LPM)
OPERATING PRESSURE:.....	Max. 2500 PSI (170 Bar)
POWER SOURCE:.....	Any Open Center Hydraulic System

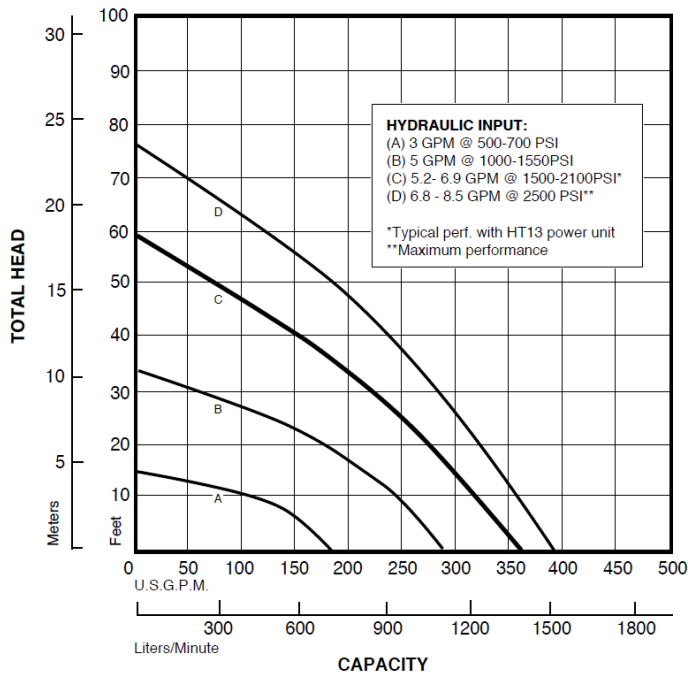
A0317

Specifications are subject to change without notice

Model S3T Overall Dimensions



S3T Typical Performance



Curves are based on pumping water at 60°F. For performance curves other than shown above, consult factory.

