

3" HYDRAULIC SUBMERSIBLE HIGH PERFORMANCE PUMP

MODELS

S3CML

3" X 2" (7.5 cm x 5 cm)

The S3CML is highly efficient water pump for use where small size, light weight, yet high performance pumping is required. Applications include portable firefighting, mine and deepwell de-watering, barge and ship cargo pumping, tank stripping, irrigation, piling and dock jeting, and many other high head applications.



FEATURES

- Compact, Powerful pump for High-Head applications
- Variable Speed hydraulic drive
- Oil Lubricated Seals (can run dry)
- Will pass through a 12in diameter deckopening or deepwell casing
- Can be bolted directly to a pipeline
- Safe Hydraulic Drive can be used where electric power is hazardous or impractical
- High Efficiency piston hydraulic motor
- Operates with our HT16 to HT35 power units or other hydraulic power sources capable of flows of 10-16 GPM
- Stainless Steel & Ductile Iron models available

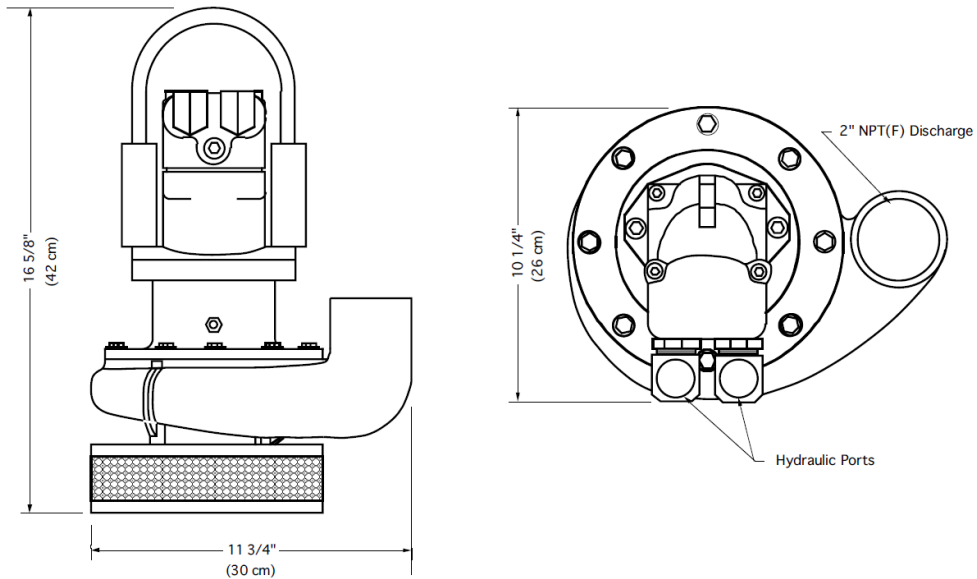
SPECIFICATIONS:

WEIGHT: Aluminum.....	45 lbs. (21 kg)
HEIGHT:.....	16 5/8" (42 cm)
WIDTH (@ widest point):.....	11 3/4" (30 cm)
DISCHARGE:.....	2" NPT(F)
INLET FLANGE:.....	.3" 125# ASA
HOSE PORTS:.....	3/4" SAE (-12) or NPT (F)
PUMP BODY:	Heat Treated Aluminum
IMPELLER:.....	Bronze
WEAR RINGS:.....	Bronze
SHAFT:.....	Stainless Steel
SHAFT SEAL:.....	Carbon/Ceramic(Std)
ELASTOMERS:.....	Buna N (Std)
HYDRAULIC OIL:.....	SAE 10W or 20W Type AW also: Dextron ATF or Biodegradable Oil
INPUT FLOW:.....	Max. 16 GPM (60 LPM)
OPERATING PRESSURE:.....	Max 3500 PSI (241 Bar)
POWER SOURCE:..	Any Open Center Hydraulic System

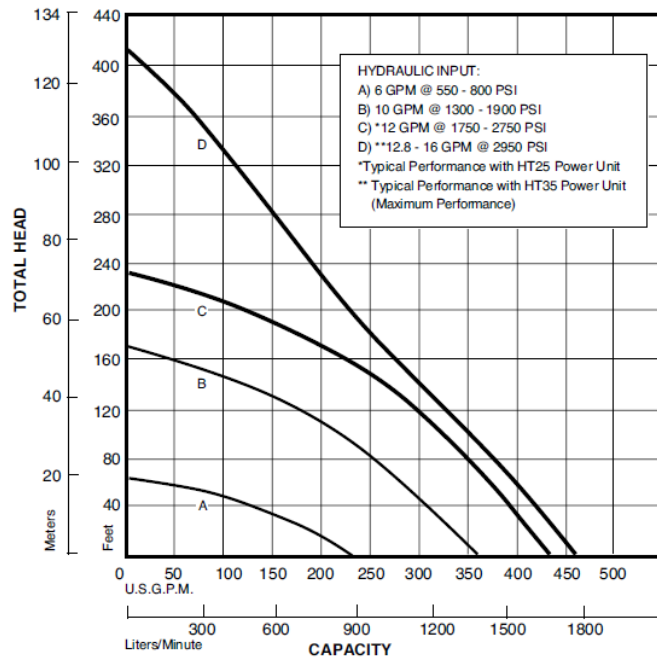
D0516

Specifications are subject to change without notice

Model S3CML Overall Dimensions



S3CML Typical Performance



Curves are based on pumping water at 60°F. For performance curves other than shown above, consult factory.

