

1 1/4" HYDRAULIC SUBMERSIBLE SLIM-LINE PUMP

MODEL

S310-3

1 1/4" (3 cm) Discharge

The S310 pump is designed to fit into small spaces such as 4" well casings, transformer vaults and bilges. Typical jobs may include blast hole de-watering, ground water evacuation and sampling, utility manholes and marine vessel compartment pumping. Heads to 285 feet.



FEATURES

- Slim Line Design fits Through 4" Openings
- Efficient Semi-Open Impeller
- Oil Lubricated Seals (can run dry)
- Variable Speed hydraulic drive
- Dependable gear type hydraulic motor
- Available in all Stainless Steel (S310-3SS)
- Safe Hydraulic Drive can be used where electric power is hazardous or impractical
- Operates with our HT6 to HT13 power units or other hydraulic power sources capable of flows to 6 GPM

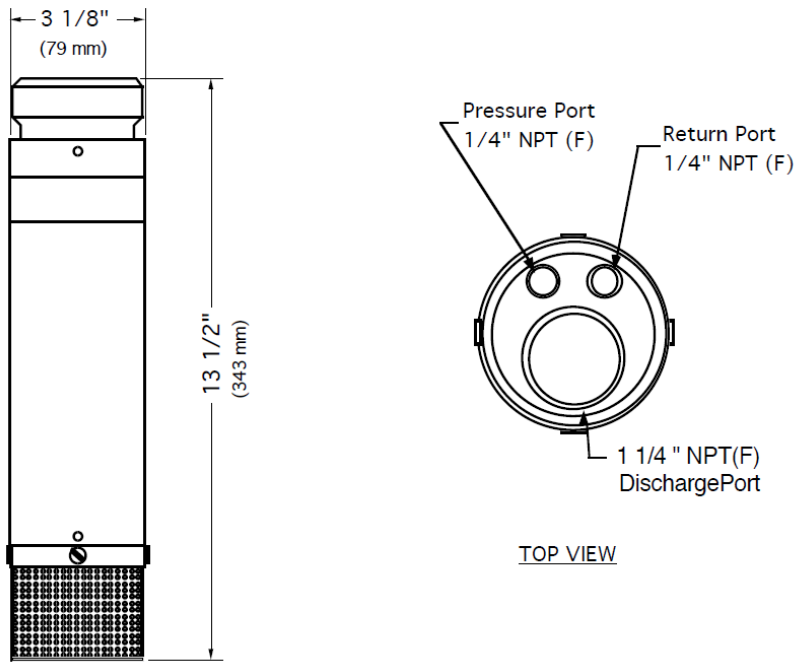
SPECIFICATIONS

WEIGHT: 10 lbs. (4.5 kg)
HEIGHT: 13 1/2" (343 mm)
DIAMETER: 3 1/8" (79 mm)
DISCHARGE: 1 1/4" NPT(F)
HOSE PORTS: 1/4" NPT (F)
PUMP CASING: Stainless Steel
IMPELLER: Stainless Steel
SHAFT: Stainless Steel
MOTOR HOUSING: Aluminum
SUCTION/DISCHARGE HOUSINGS: Aluminum
SHAFT SEAL: Carbon/Ceramic (Std)
ELASTOMERS: Buna N (Std)
HYDRAULIC OIL: 214-320 s.s.u. @ 100°F (64°C)
INPUT FLOW: Max. 6 GPM (23 LPM)
OPERATING PRESSURE: Max: 2400 PSI (163 Bar)
POWER SOURCE: Any Open Center Hydraulic System

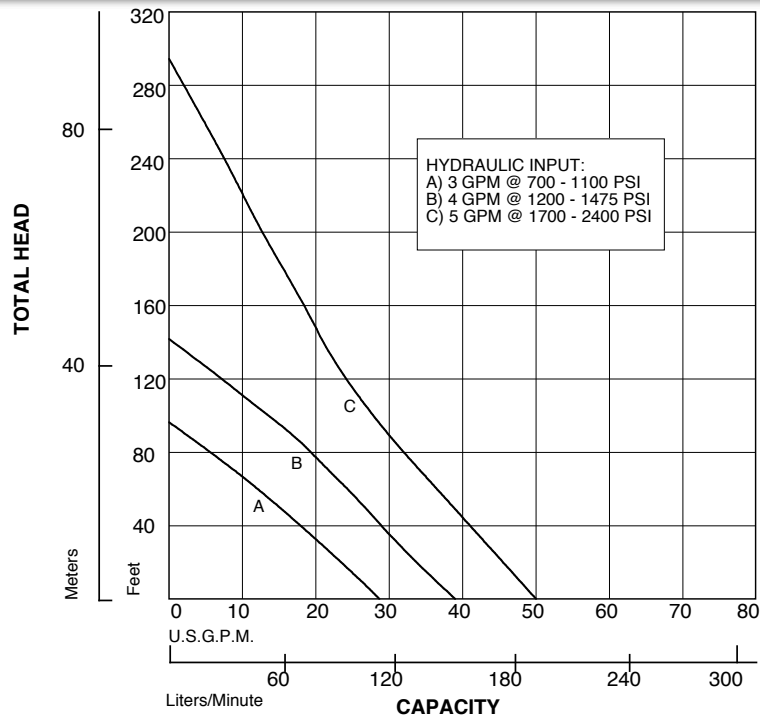
D1017

Specifications are subject to change without notice

Model S310-3 Overall Dimensions



S310-3 Typical Performance



Curves are based on pumping water at 60°F. For performance curves other than shown above, consult factory.

