

2" HYDRAULIC SUBMERSIBLE TRASH PUMP

MODELS

S2T-2 (Ductile Iron Body)

S2TAL-2 (Aluminum Body)

2" (5 cm) Discharge

The S2T-2 is a Very Portable Vortex Impeller pump. This pump can handle stringy solids and can be used for jobs such as bilge pumping, jobsite dewatering, wastewater transfer, oil skimmers, vault pumping and grit chamber clean-outs.



FEATURES

- Fully Recessed Vortex Impeller (will Pass 1 1/2" [3.8 cm] Semi-Solids)
- Rugged and Reliable gerotor motor
- Variable Speed hydraulic drive
- Small, lightweight and versatile
- Can be bolted directly into a pipeline
- Safe Hydraulic Drive can be used where electric power is hazardous or impractical
- Operates with our HT6 and HT7 power units or other hydraulic power sources capable of flows to 5 GPM

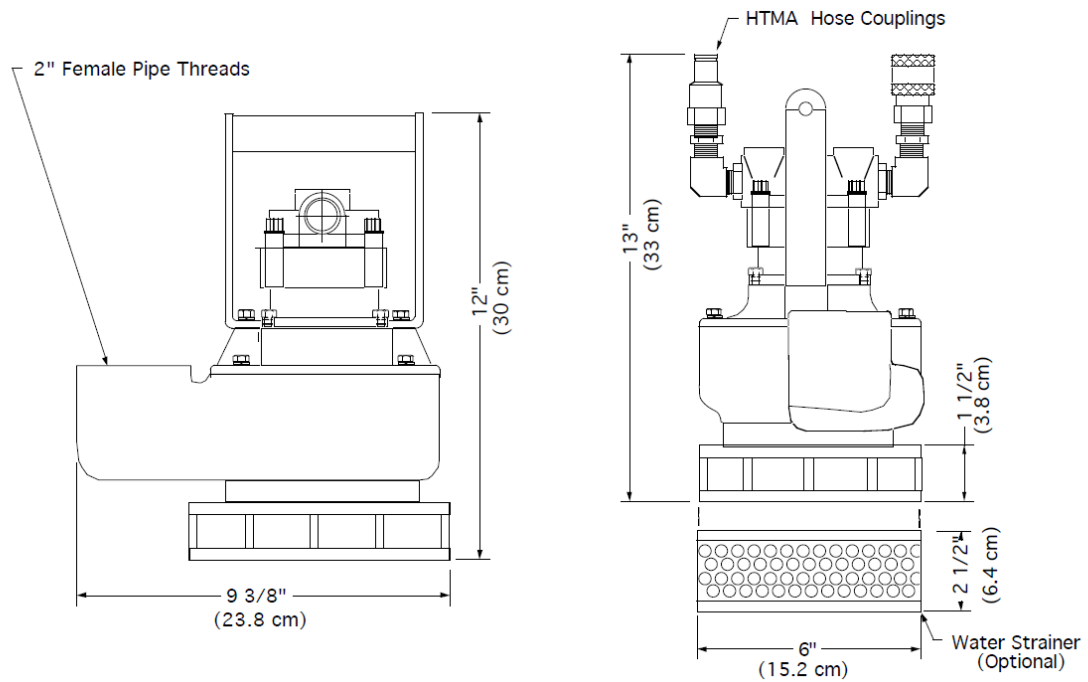
SPECIFICATIONS

WEIGHT: S2T-2.....	25 lbs. (11 kg)
S2TAL-2.....	17 lbs. (7.7 kg)
HEIGHT:.....	13" (33 cm)
WIDTH (@ widest point):.....	9 3/8" (24 cm)
DISCHARGE:.....	2" NPT(F)
INLET FLANGE:.....	1 1/2" 125#
SOLIDS HANDLING:.....	1 1/2" (3.8 cm)
HOSE PORTS:.....	3/8" SAE (-6) 'O' Ring
PUMP BODY: S2T-2.....	Ductile Iron
S2TAL-2.....	Aluminum
IMPELLER:.....	Ductile Iron/ SS option
SHAFT:.....	Heat Treated Steel Alloy
SHAFT SEAL:.....	Carbon/Ceramic (Std)
ELASTOMERS:.....	Buna N (Std)/ Viton option
HYDRAULIC OIL:.....	214-320 s.s.u. @ 100°F (64°C)
INPUT FLOW:.....	Max. 5 GPM (19 LPM)
OPERATING PRESSURE:..	Cont. Max: 2000 PSI (136 Bar)
	Int. Max: 2500 PSI (172 Bar)
POWER SOURCE:.....	Any Open Center Hydraulic System

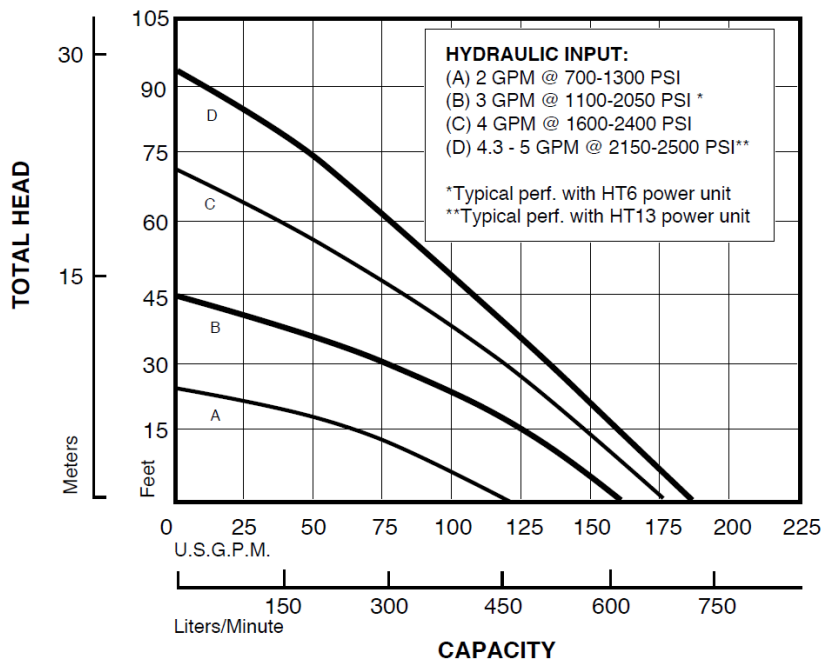
D0516

Specifications are subject to change without notice

Model S2T-2 Overall Dimensions



S2T-2 Typical Performance



Curves are based on pumping water at 60°F. For performance curves other than shown above, consult factory.

