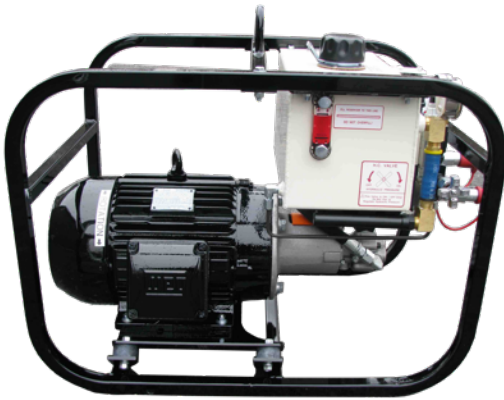


PORTABLE HYDRAULIC POWER UNIT

MODEL HT5E



HT5E Power Unit



HT5E Power Unit
with Wheel Kit

The HT5E power unit is driven by a 10HP electric motor for use where electric power is available. It is designed to drive several of our pump models including the S3T, S3TC and S6P. Other hydraulic tools and equipment may also operate from this power unit.

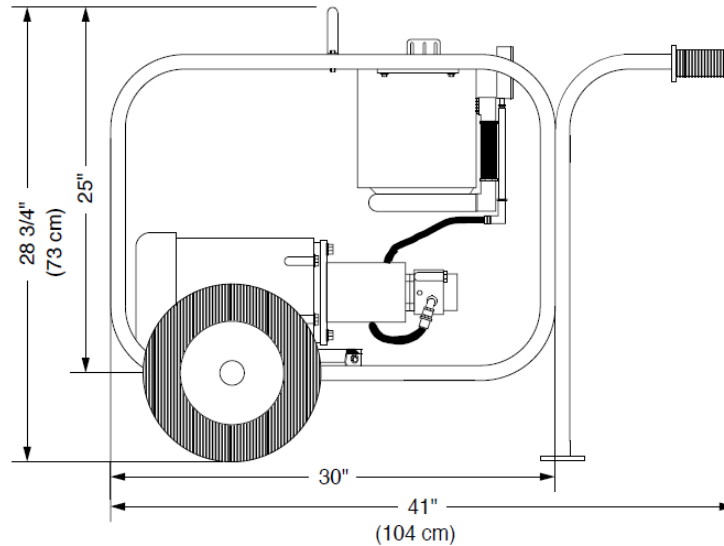
FEATURES

- Roll Cage Chassis
- Single Point Lifting Bracket
- Gear Type Hydraulic Pump
- TEFC Electric Motor
- Hydraulic Oil Cooler
- Spin-On Return Filter W/ Indicator
- Tank Top Filler/ Strainer
- System Relief Valve
- NEMA Control Panel w/ Circuit Breaker Disconnect
- Hydraulic Control Valve
- Liquid Filled Pressure Gauge
- Fluid Level/ Temperature Gauge

OPTIONS

- Single Phase 220 Volts
- 575 Volts; 50Hz
- Control Panel
- Explosion Proof Motor

Model HT5E Overall Dimensions



HT5E Shown with Optional Wheel Kit

Control Panel not shown *

*

SPECIFICATIONS

MOTOR:..... 5 HP 230/460 Volts, 3 Phase, 60 Hz, TEFC
SPEED:..... 3600 RPM
FULL LOAD AMPS:..... 24/12
HYDRAULIC OUTPUT*:..... 3 GPM (11 LPM)
OPERATING PRESSURE*:..... Maximum 2100 PSI (140 Bar)
HOSE PORT SIZE:..... 1/2"
HYDRAULIC OIL:..... SAE 10W or 20W (ISO 32 or 46) Type AW
also: Dexron ATF or Biodegradable Oil
OIL FILTRATION:..... 10 Micron (Standard)
OIL RESERVOIR CAPACITY:..... 4 U.S. Gallons (15 Liters)
DIMENSIONS: (Roll Cage).....H 25" (64 cm) x W 20" (51 cm) x L 30" (76 cm)
(With Wheel Kit) H 28 3/4" (73 cm) x W 30" (76 cm) x L 41" (104 cm)
WEIGHT (Dry):..... 155 lbs.

* For Flows and Pressures Other Than Standard, Consult Factory

Since we are constantly working to improve our products, specifications are subject to change without notice.



167 Stock Street, Nesquehoning, PA 18240 Phone: 570-645-3779 Fax: 570-645-4061

Website: www.hydra-tech.com

E-Mail: htpump@hydra-tech.com