

4" HYDRAULIC SUBMERSIBLE HIGH PERFORMANCE PUMP

MODELS

S4CHL

4" (100 mm) Discharge

The S4CHL is ideal for pumping at high heads and high capacity. This powerful pump fits into small openings and is lightweight and easy to handle. Perfect for cargo offloading or tank stripping.



FEATURES

- High Efficiency Closed Channel Impeller
- Small overall size allows for use in confined spaces. Fits into 12" (300mm) opening.
- Oil Lubricated Seals (can run dry)
- Powerful Axial Piston Motor
- Can be used inline as a booster pump
- Safe Hydraulic Drive can be used where electric power is hazardous or impractical
- Operates with our HT100 power units or other hydraulic power sources capable of flows of 31 GPM (120 LPM)

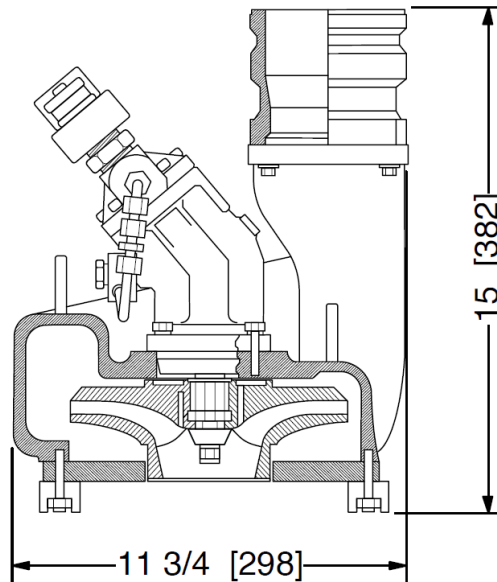
SPECIFICATIONS:

WEIGHT:.....	70 lbs. (32 kg)
HEIGHT (Maximum):.....	19-1/2" (490 mm)
DIAMETER (@ widest point):.....	11-3/4" (298 mm)
DISCHARGE:.....	4" Camlock or Flange Adaptor
INLET:.....	4" (100 mm)
SOLIDS HANDLING:.....	1/2" (13 mm)
HOSE PORTS:.....	1" (25 mm)
PUMP BODY:.....	Seawater Resistant Aluminum
IMPELLER:.....	Composite
ELASTOMERS:.....	Viton (Std)
HYDRAULIC OIL:.....	214-320 s.s.u. @ 100°F (64°C)
INPUT FLOW:.....	Max. 31 GPM (120 LPM)
OPERATING PRESSURE:.....	Max. 4500 PSI (306 Bar)
POWER SOURCE:..	Any Open Center Hydraulic System

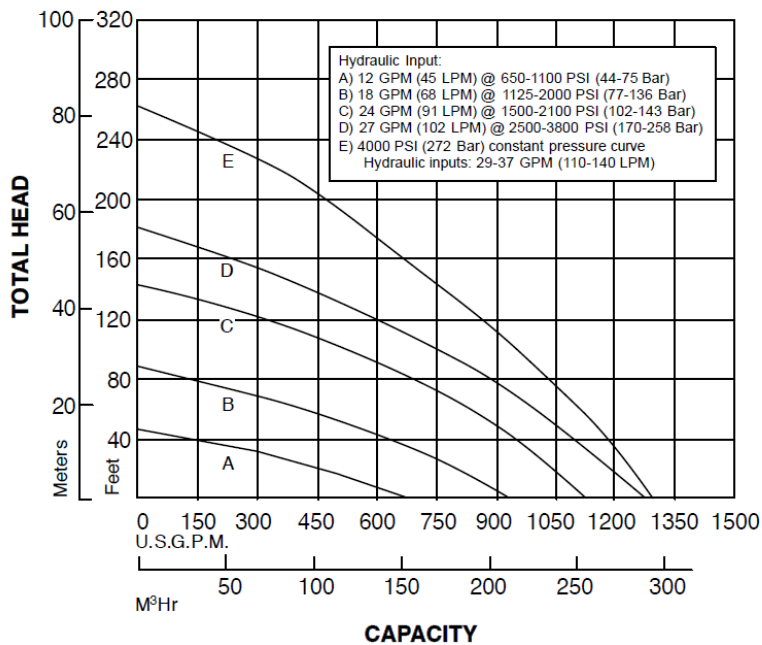
D0516

Specifications are subject to change without notice

Model S4CHL Overall Dimensions



S4CHL Typical Performance



Curves are based on pumping water at 60°F. For performance curves other than shown above, consult factory.



167 Stock Street, Nesquehoning, PA 18240 Phone: 570-645-3779 Fax: 570-645-4061
 Website: www.hydra-tech.com E-Mail: htpump@hydra-tech.com