



## PORTABLE HYDRAULIC POWER UNIT

### MODEL HT6GE/G

This Honda gas portable power pack is ideal for driving our 2" trash pump and slim-line borehole pump. It also can provide hydraulic power to run many other hydraulic tools. Two models are available with flows of 3 GPM @ 2500 PSI or 4.5 GPM @ 1800 PSI.

## FEATURES

- Reliable Electric Start Honda Gas Engine with Oil-Alert™ Safety Shutdown
- Roll Cage Frame with Single Point Lifting Eye
- Gear-Type Hydraulic Pump
- Spin-On Return Filter W/ Indicator
- Variable Speed Controls Hydraulic Output
- Hydraulic Oil Cooler
- Tank Top Filler/ Strainer
- HTMA Quick - Disconnect Couplings
- System Relief Valve
- Sized for small hydraulic tools
- Liquid Filled Pressure Gauge
- Made in USA
- Fluid Level/ Temperature Gauge

### OPTIONS

- Wheel Kit
- Recoil Start (HT6G model)
- Other Flow and Pressure Combinations

A0116

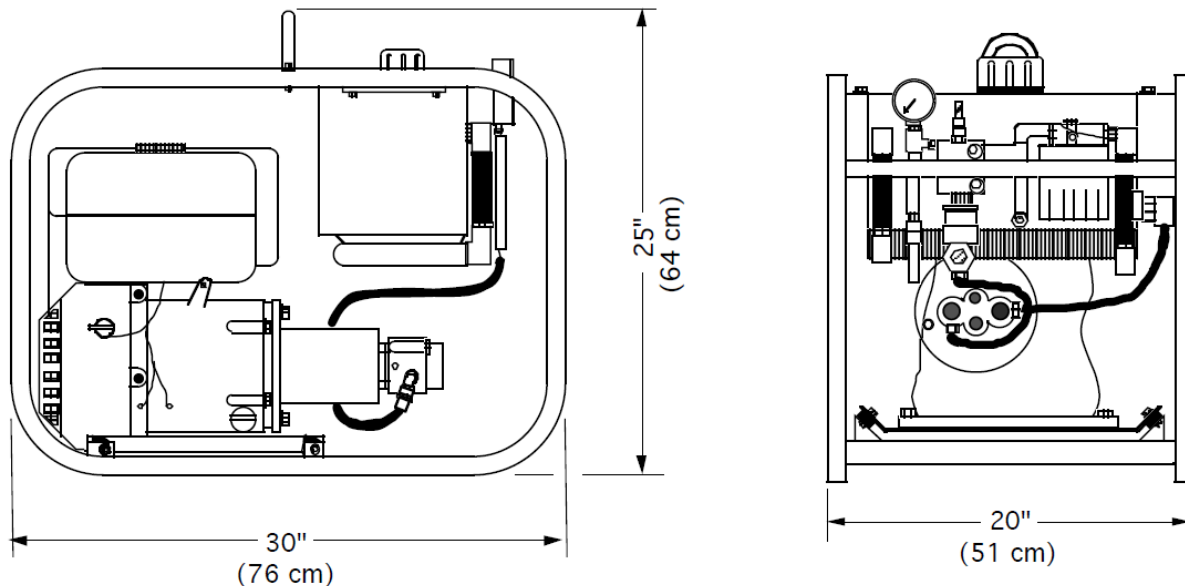


167 Stock Street, Nesquehoning, PA 18240 Phone: 570-645-3779 Fax: 570-645-4061

Website: [www.hydra-tech.com](http://www.hydra-tech.com)

E-Mail: [htpump@hydra-tech.com](mailto:htpump@hydra-tech.com)

## Model HT6G Overall Dimensions



## SPECIFICATIONS

ENGINE:..... Honda GX200 Gasoline  
 HORSE POWER:..... 5.5 @ 3600 RPM  
 HYDRAULIC OUTPUT:..... 3 GPM (11 LPM) @ 2500 PSI (170 Bar)  
 or:..... 4.5 GPM (17 LPM) @ 1800 PSI (122 Bar)  
 HOSE PORT SIZE:..... 1/2" NPT  
 HYDRAULIC OIL:..... SAE 10W or 20W Type AW  
 also: Dexron ATF or Biodegradable oil  
 OIL FILTRATION:..... 10 Micron (Standard)  
 OIL RESERVOIR CAPACITY:..... 4 U.S. Gallons (15.1 Liters)  
 FUEL TANK CAPACITY:..... .75 U.S. Gallons (3 Liters)  
 FUEL CONSUMPTION:..... Approx. .9 U.S. Gal/Hr (3.4 Liters/Hr)  
 DIMENSIONS:..... H 25" (63.5 cm) x W 20" (51 cm) x L 30" (76 cm)  
 w/ Wheel Kit H: 28 3/4" (73 cm) x W 30 1/2" (78 cm) x L 41" (104 cm)  
 WEIGHT (Dry):..... 150 lbs. (68 kg)

\* For Flows and Pressures Other Than Standard, Consult Factory

Since we are constantly working to improve our products, specifications are subject to change without notice.



167 Stock Street, Nesquehoning, PA 18240 Phone: 570-645-3779 Fax: 570-645-4061

Website: [www.hydra-tech.com](http://www.hydra-tech.com)

E-Mail: [htpump@hydra-tech.com](mailto:htpump@hydra-tech.com)