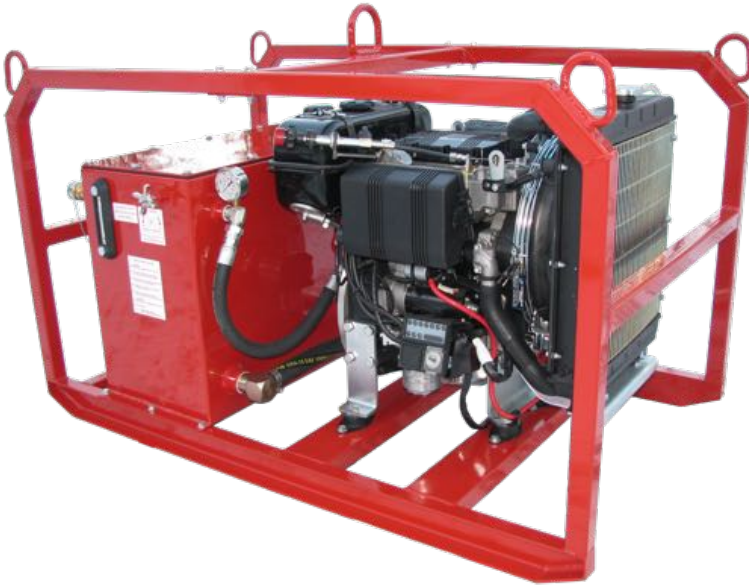


## PORTABLE HYDRAULIC POWER UNIT MODEL HT16DK



This power unit features a Kohler Tier 4 Final diesel engine, large oil reservoir and several lifting points for easy handling. A versatile power source for hydraulic tools and mobile equipment applications. Trailer model available.

### FEATURES

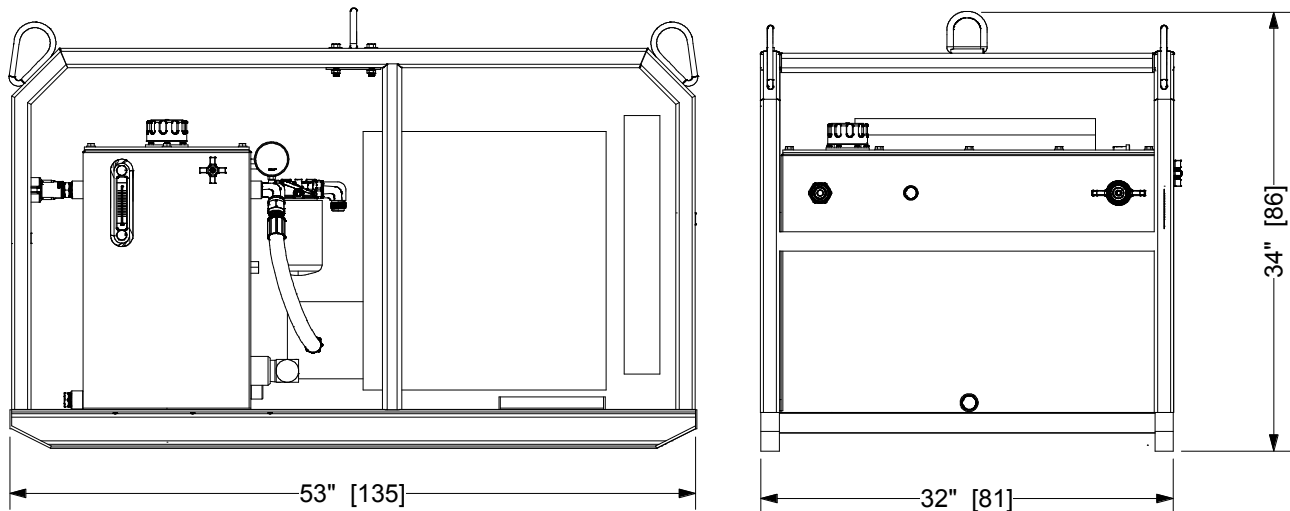
- EPA Tier 4 Kohler Diesel Engine with Electric Start and LED Panel
- Roll Cage Frame with Single and 4 Point Point Lifting Eyes
- Gear-Type Hydraulic Pump
- Spin-On Return Filter W/ Indicator
- Variable Speed Control
- Engine Mounted Fuel Tank
- Tank Top Filler/ Strainer
- System Relief Valve
- Pressure Control Valve
- Liquid Filled Pressure Gauge
- Fluid Level/ Temperature Gauge
- Quick - Disconnect Couplings

#### OPTIONS

- Other Flow and Pressure Combinations
- Variable Volume Piston Pump

A0116

## Model HT16DK Overall Dimensions



## SPECIFICATIONS

ENGINE:..... Kohler TDW-702 Diesel (EPA Tier 4)  
HORSEPOWER:..... 16.8 (12.5 kW) @ 3600 RPM  
HYDRAULIC OUTPUT: (Std.)..... Variable, Max. 10 GPM (37 LPM)  
OPERATING PRESSURE: (Std.)..... Maximum 2300 PSI (159 Bar)  
HOSE PORT SIZE:..... 1/2" or 3/4"  
HYDRAULIC OIL:..... SAE 10W or 20W Type AW  
also: Dexron ATF or Biodegradable Oil (Consult Factory)  
OIL FILTRATION:..... 10 Micron (Standard)  
OIL RESERVOIR CAPACITY:..... 30 U.S. Gallons (114 Liters)  
FUEL TANK CAPACITY:..... 2.6 U.S. Gallons (10 Liters)  
FUEL CONSUMPTION:..... Approx. 1 Gal/Hr (3.8 Liters/Hr)  
DIMENSIONS:..... H 34" (86 cm) x W 32" (81 cm) x L 53" (135 cm)  
WEIGHT (Dry):..... 590 lbs. (267 kg)

\* For Flows and Pressures Other Than Standard, Consult Factory

Since we are constantly working to improve our products, specifications are subject to change without notice.



167 Stock Street, Nesquehoning, PA 18240 Phone: 570-645-3779 Fax: 570-645-4061

Website: [www.hydra-tech.com](http://www.hydra-tech.com)

E-Mail: [htpump@hydra-tech.com](mailto:htpump@hydra-tech.com)