

## PORTABLE HYDRAULIC POWER UNIT

### MODEL HT11DXR

This compact and rugged diesel power unit features an extended run fuel tank, extra oil cooling and easy handling. Great for continuous duty applications powering our pumps or other hydraulic equipment using the variable speed throttle to control hydraulic output.



## FEATURES

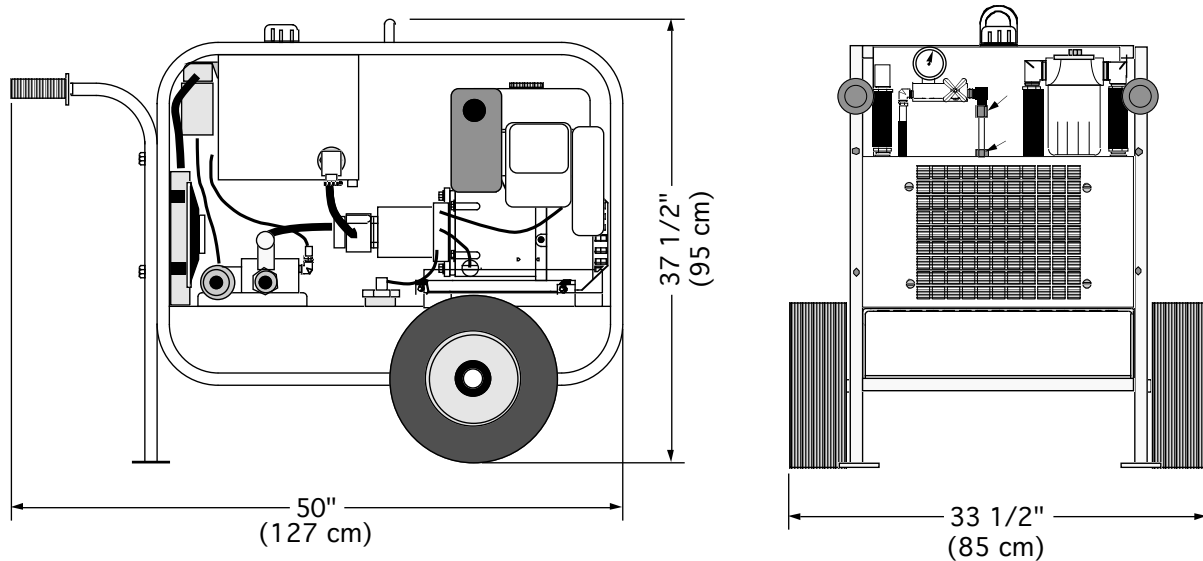
- Yanmar air-cooled Diesel Engine with Electric Start
- Roll Cage Frame with Single Point Lifting Eye
- Gear-Type Hydraulic Pump
- Spin-On Return Filter W/ Indicator
- Variable Speed Throttle Controls Hydraulic Output
- Hydraulic Oil Cooler
- Tank Top Filler/ Strainer
- HTMA Quick - Disconnect Couplings
- System Relief Valve
- Made in USA
- Liquid Filled Pressure Gauge
- Fluid Level/ Temperature Gauge
- Fuel Level Gauge
- Wheel Kit

### OPTIONS

- Other Flow and Pressure Combinations

A0116

## Model HT11DXR Overall Dimensions



## SPECIFICATIONS

ENGINE:..... Yanmar L100V Diesel  
HORSE POWER:..... 9.1 @ 3500 RPM  
HYDRAULIC OUTPUT:..... Variable, Max 6 GPM (23 LPM)  
OPERATING PRESSURE:..... Maximum 2000 PSI (143 Bar)  
HOSE PORT SIZE:..... 1/2" or 3/4" NPT  
HYDRAULIC OIL:..... SAE 10W or 20W Type AW  
also:.. Dexron ATF or Biodegradable oil  
OIL FILTRATION:..... 10 Micron (Standard)  
OIL RESERVOIR CAPACITY:..... 8 U.S. Gallons (30 Liters)  
FUEL TANK CAPACITY:..... 15 U.S. Gallons (57 Liters)  
FUEL CONSUMPTION:..... Approx. .5 U.S. Gal/Hr (1.9 Liters/Hr)  
DIMENSIONS:.. H 37 1/2" (95 cm) x W 33 1/2" (85 cm) x L 50" (127 cm)  
WEIGHT (Dry):..... 395 lbs. (179 kg)

\* For Flows and Pressures Other Than Standard, Consult Factory

Since we are constantly working to improve our products, specifications are subject to change without notice.



167 Stock Street, Nesquehoning, PA 18240 Phone: 570-645-3779 Fax: 570-645-4061

Website: [www.hydra-tech.com](http://www.hydra-tech.com)

E-Mail: [htpump@hydra-tech.com](mailto:htpump@hydra-tech.com)