

12" HYDRAULIC SUBMERSIBLE HIGH PERFORMANCE SOLIDS HANDLING PUMP

MODEL

S6300

12" (30 cm) Discharge

The S6300 is a highly efficient, high volume, solids handling pump. Typical uses for this pump would be sewer by-pass, barge transfer, municipal waste lagoon and tank pumping. Also used as a high volume feed pump for fire suppression systems. Heads to 110 feet and flows to 8500 GPM.



FEATURES

- Balanced High Efficiency Two Vane Closed Channel Impeller
- Will pass 5" (12 cm) semi-solids
- Variable Speed hydraulic drive provides a wide range of performance
- Oil Lubricated Seals (can run dry)
- High Efficiency Balanced Vane hydraulic motor
- Can be bolted directly into a pipeline or used as a booster pump
- Safe Hydraulic Drive can be used where electric power is hazardous or impractical
- Operates with our HT100 to HT200 power units or other hydraulic power sources capable of flows of 50 - 90 GPM

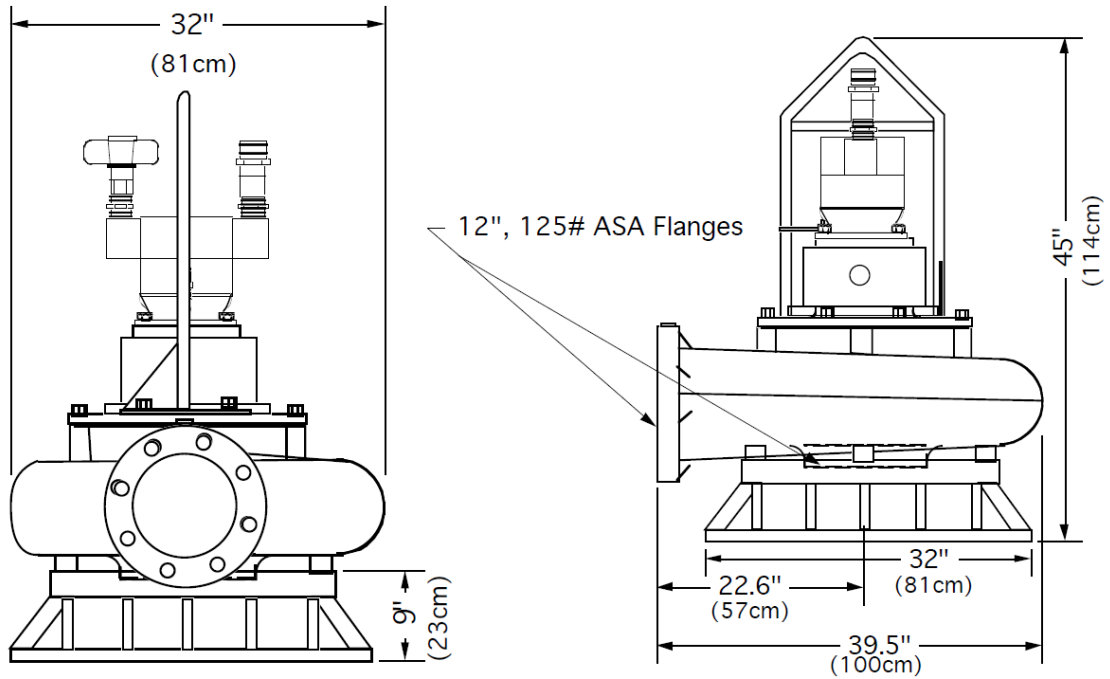
SPECIFICATIONS

WEIGHT:	979 lbs. (444 kg)
HEIGHT:	45" (114 cm)
WIDTH (@ widest point):	39.5" (100 cm)
DISCHARGE:	12", 125# ASA Flange
INLET:	12", 125# ASA Flange
SOLIDS HANDLING:	5" (12 cm)
HOSE PORTS:	1-1/4" Code 61 Flange or 1-1/2" NPT (F)
PUMP BODY:	Ductile Iron
IMPELLER:	Ductile Iron
WEAR RING:	Ductile Iron
SHAFT:	17-4 PH Stainless Steel
SHAFT SEAL:	Silicon Carbide
ELASTOMERS:	Buna N (Std)
HYDRAULIC OIL:	214-320 s.s.u. @ 100°F (64°C)
INPUT FLOW:	Max 90 GPM (340 LPM)
OPERATING PRESSURE:	Max 3000 PSI (204 Bar)
POWER SOURCE:	Any Open Center Hydraulic System

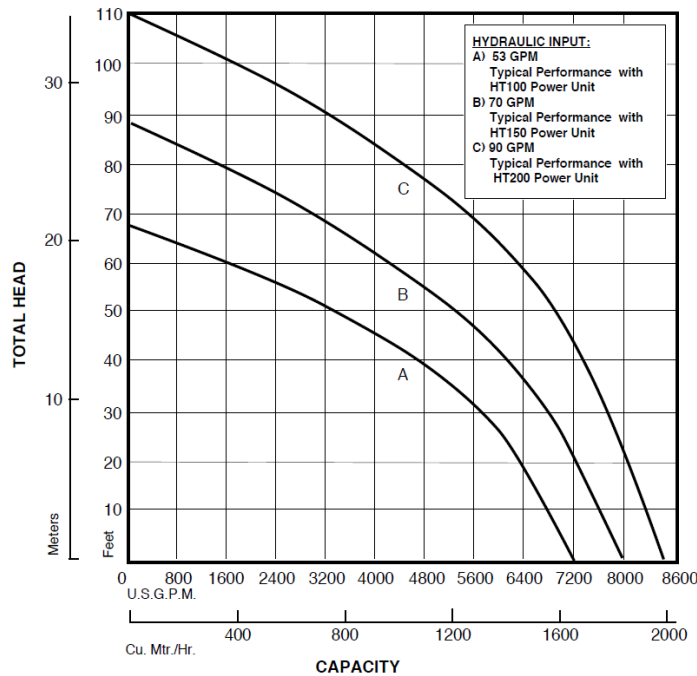
D0516

Specifications are subject to change without notice

Model S6300 Overall Dimensions



S6300 Typical Performance



Curves are based on pumping water at 60°F. For performance curves other than shown above, consult factory.

