

4" HYDRAULIC SUBMERSIBLE SOLIDS HANDLING PUMP

MODELS

S4T-2 (Aluminum Body)

S4TDI-2 (Ductile Iron Body)

4" (10 cm) Discharge

The S4T-2 and S4TDI-2 represent generation two for our most popular four inch pump. The standard seal is Silicon Carbide and the new design features wear plates above and below the impeller. Excellent for moving heavy materials like driller's mud and sludge.



FEATURES

- 2-Vane Channel Impeller
(will pass 3" (8 cm) semi-solids)
- Variable Speed hydraulic drive
- Replaceable SS wear plates
- Silicon Carbide mechanical seal
- Can be bolted directly to a tank or truck
- Dependable gear type hydraulic motor
- Operates with our HT20 to HT35 power units or other hydraulic power sources capable of flows of 12 - 21 GPM

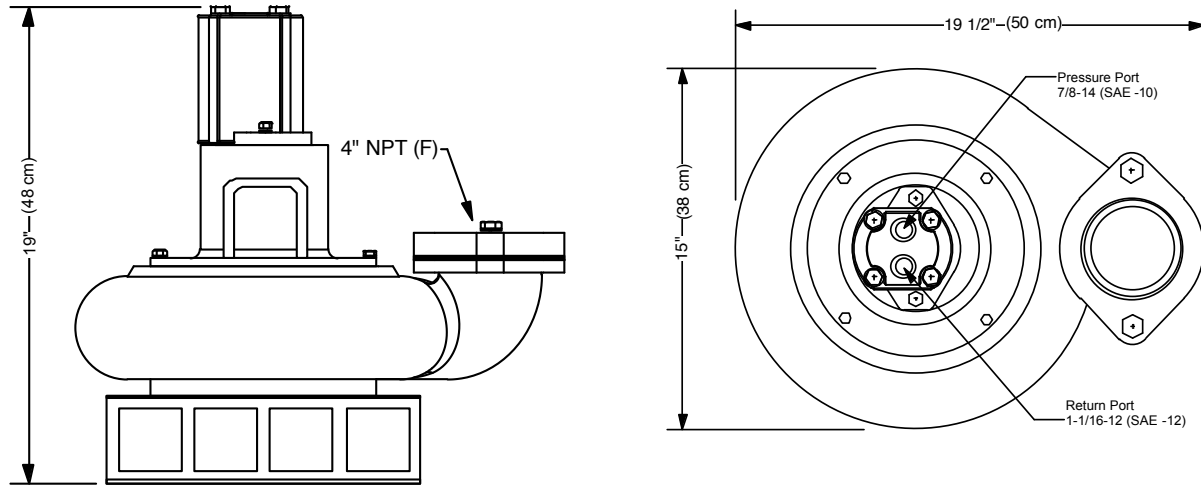
SPECIFICATIONS

WEIGHT: (Aluminum Body).....	82 lbs. (37 kg)
(Ductile Iron Body).....	140 lbs. (63 kg)
HEIGHT:.....	19" (48 cm)
WIDTH (@ widest point):.....	19-1/2" (50 cm)
DISCHARGE:.....	4" NPT(F)
INLET FLANGE:.....	4", Class 125
SOLIDS HANDLING:.....	3" (8 cm)
HOSE PORTS:..... (Pressure)	7/8-14 (-10) SAE
(Return)	1-1/6-12 (-12) SAE
PUMP BODY: (S4T-2).....	Aluminum
(S4TDI-2).....	Ductile Iron
IMPELLER:.....	Ductile Iron/SS Option
WEAR PLATES:.....	Stainless Steel
SHAFT SEAL:.....	Silicon Carbide
ELASTOMERS:.....	Buna N (Std)
HYDRAULIC OIL:.....	214-320 s.s.u. @ 100°F (64°C)
INPUT FLOW:.....	Max. 21 GPM (79 LPM)
OPERATING PRESSURE:..	Max. 2600 PSI (177 Bar)
POWER SOURCE:..	Any Open Center Hydraulic System

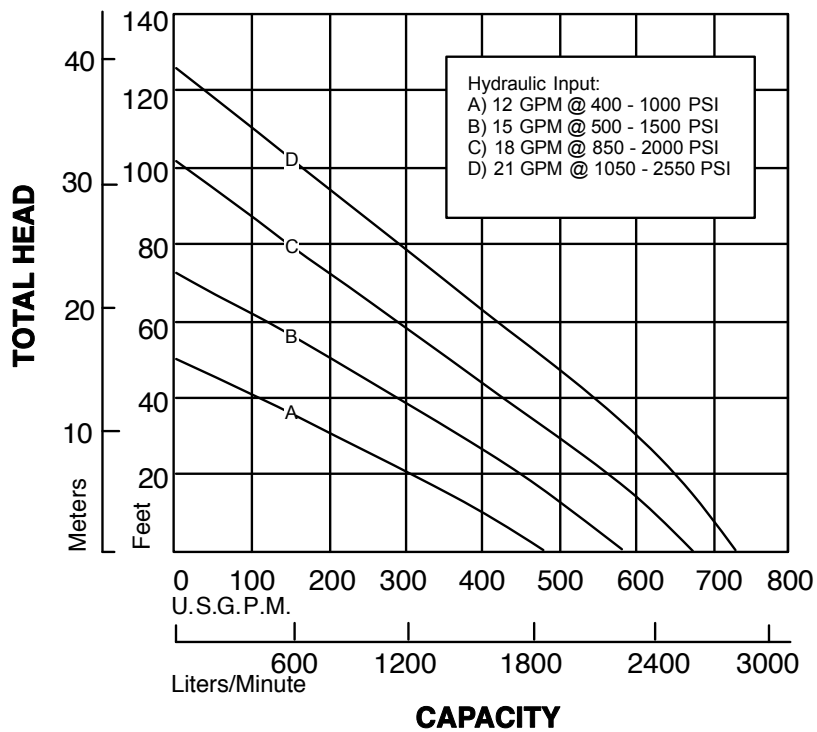
D0416

Specifications are subject to change without notice

Model S4T-2 Overall Dimensions



S4T-2 Typical Performance



Curves are based on pumping water at 60°F. For performance curves other than shown above, consult factory.

