

3" HYDRAULIC SUBMERSIBLE CENTRIFUGAL SCREW PUMP

MODELS

S3SCR

3" (75 mm) Discharge

The S3SCR is ideal for pumping high viscosity liquids such as crude oils, latex, molasses and refinery wastes using a positive displacement screw. When pumping lighter materials, the impeller acts as a centrifugal type providing high capacity. Typical uses include oil skimmers and cargo pumping.



FEATURES

- Unique Centrifugal Screw Impeller.
- Small Overall Size allows for use in confined spaces
- Oil Lubricated Seals (can run dry)
- Can be used inline as a booster pump
- Safe Hydraulic Drive can be used where electric power is hazardous or impractical
- Optional External case drive available
- Operates with our HT10 to HT25 power units or other hydraulic power sources capable of flows of 6 - 11 GPM
- Lightweight and Powerful

SPECIFICATIONS

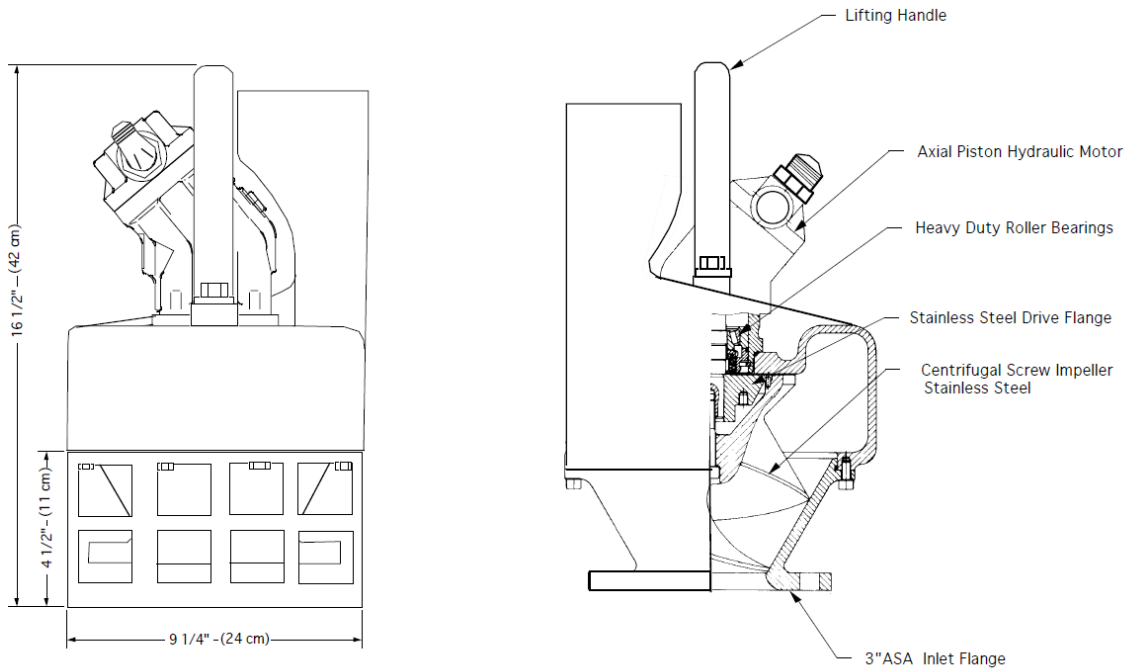
WEIGHT:..... 43 lbs. (20 kg)
 HEIGHT:..... 16 1/2" (42 cm)
 WIDTH (@ widest point):..... 9 1/4" (24 cm)
 DISCHARGE:..... 3" NPT (F)
 INLET FLANGE:..... 3" 125# ANSI
 SOLIDS HANDLING:..... 1 1/2" (38 mm)
 HOSE PORTS:..... 1/2" JIC (M)
 PUMP BODY:..... Heat Treated Aluminum
 IMPELLER / SCREW:..... CD4MCU Stainless Steel
 SUCTION CASE:*..... Heat Treated Aluminum
 ELASTOMERS:..... Buna N (Std)
 HYDRAULIC OIL:..... 214-320 s.s.u. @ 100°F (64°C)
 INPUT FLOW:..... Max. 11 GPM (42 LPM)
 OPERATING PRESSURE:..Max. 3500 PSI (241 Bar)
 POWER SOURCE:.. Any Open Center Hydraulic System

* Optional ceramic coating available

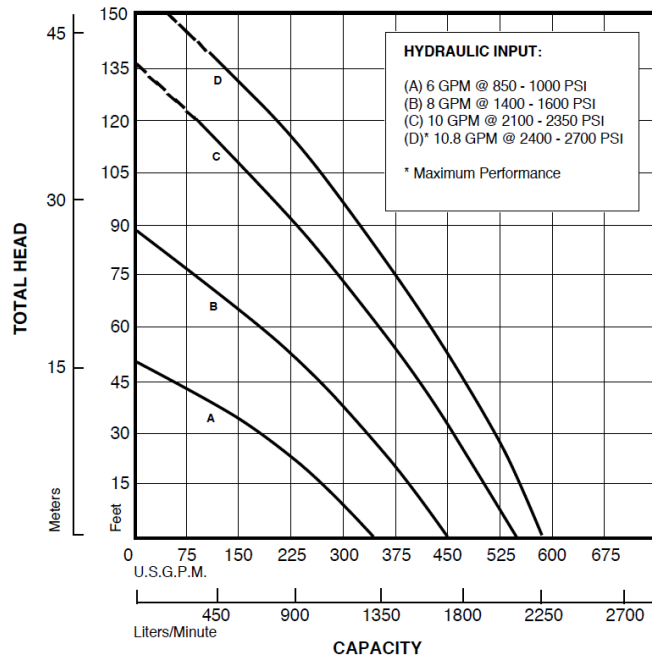
D0516

Specifications are subject to change without notice

Model S3SCR Overall Dimensions



S3SCR Typical Performance



Curves are based on pumping water at 60°F. For performance curves other than shown above, consult factory.

