



# HYDRA-TECH PUMPS

## 1 1/4" HYDRAULIC SUBMERSIBLE SLIM-LINE PUMP

### MODEL S310-3

1 1/4" (32mm) Discharge

The S310-3 pump is designed to fit into small spaces such as 4" well casings, transformer vaults and bilges. Typical jobs may include blast hole de-watering, ground water evacuation and sampling, utility manholes and marine vessel compartment pumping.



### FEATURES

- Slim Line Design fits Through 4" Openings
- Efficient Semi-Open Impeller
- Oil Lubricated Seals (can run dry)
- Variable Speed hydraulic drive
- Dependable gear type hydraulic motor
- Available in all Stainless Steel (S310-3SS)
- Safe Hydraulic Drive can be used where electric power is hazardous or impractical
- Operates with our HT6 to HT13 power units or other hydraulic power sources capable of flows to 5 GPM

### SPECIFICATIONS

WEIGHT:	10 lbs. (4.5 kg)
HEIGHT:	13 1/2" (343 mm)
DIAMETER:	3 1/8" (79 mm)
DISCHARGE:	1 1/4" NPT(F)
HOSE PORTS:	1/4" NPT (F)
PUMP CASING:	Stainless Steel
IMPELLER:	Stainless Steel
SHAFT:	Stainless Steel
MOTOR HOUSING:	Aluminum
SUCTION/DISCHARGE HOUSINGS:	Aluminum
SHAFT SEAL:	Carbon/Ceramic (Std)
ELASTOMERS:	Buna N (Std)
HYDRAULIC OIL:	214-320 s.s.u. @ 100°F (64°C)
INPUT FLOW:	Max. 6 GPM (23 LPM)
OPERATING PRESSURE:	Max: 2400 PSI (163 Bar)
POWER SOURCE:	Any Open Center Hydraulic System

B0109

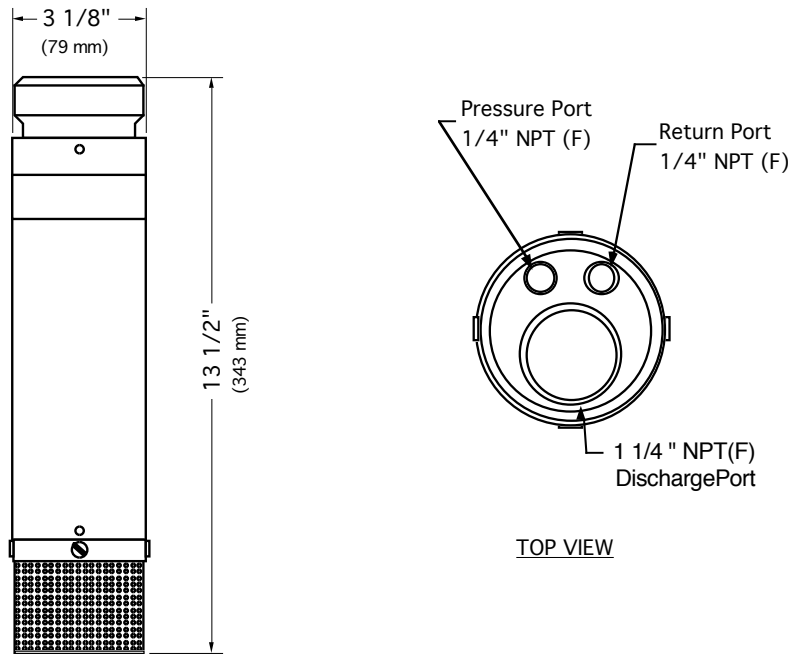
Specifications are subject to change without notice



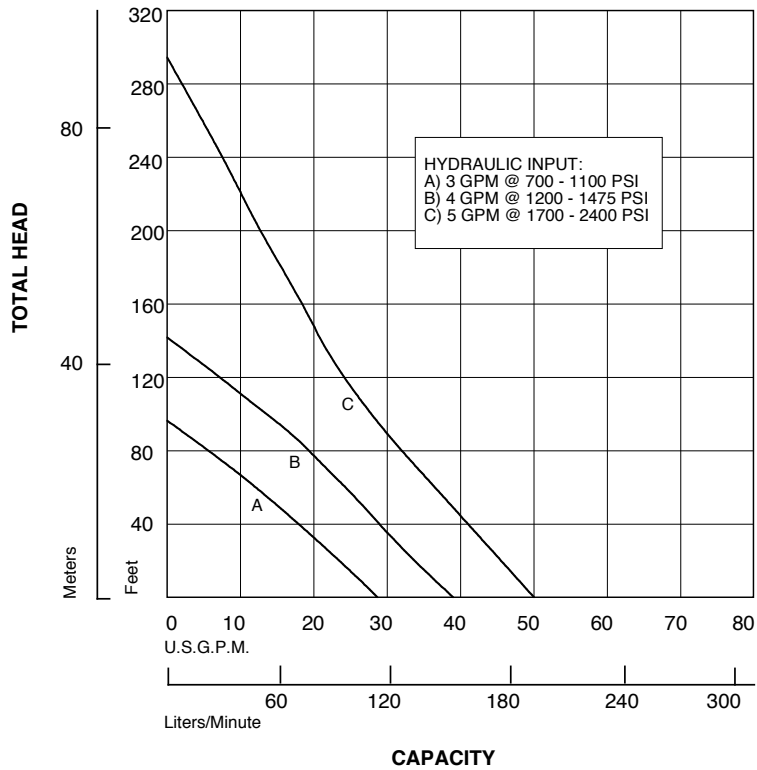
**HYDRA-TECH PUMPS**

167 Stock Street, Nesquehoning, PA 18240 Phone: 570-645-3779 Fax: 570-645-4061  
Website: [www.hydra-tech.com](http://www.hydra-tech.com) E-Mail: [htpump@hydra-tech.com](mailto:htpump@hydra-tech.com)

## Model S310-3 Overall Dimensions



## S310-3 Typical Performance



Curves are based on pumping water at 60°F. For performance curves other than shown above, consult factory.



167 Stock Street, Nesquehoning, PA 18240 Phone: 570-645-3779 Fax: 570-645-4061  
 Website: [www.hydra-tech.com](http://www.hydra-tech.com) E-Mail: [htpump@hydra-tech.com](mailto:htpump@hydra-tech.com)