

## 2" HYDRAULIC SUBMERSIBLE UTILITY PUMP

### MODELS

**S2TC-2 (Ductile Iron Body)**

**S2TCAL-2 (Aluminum Body)**

2" (55 mm) Discharge

The S2TC-2 is a very portable and versatile all purpose utility pump. The two channel impeller handles solids and offers excellent overall performance. This pump is available with your choice of water or solids handling strainers.



### FEATURES

- Efficient Two Channel Impeller will pass 1" (25mm) semi-solids
- Variable Speed hydraulic drive
- Rugged and Reliable gerotor motor
- Small, lightweight and versatile
- Can be bolted directly to a tank or truck
- Safe Hydraulic Drive can be used where electric power is hazardous or impractical
- Operates with our HT6 and HT7 power units or other hydraulic power sources capable of flows to 5 GPM
- Stainless Steel model available

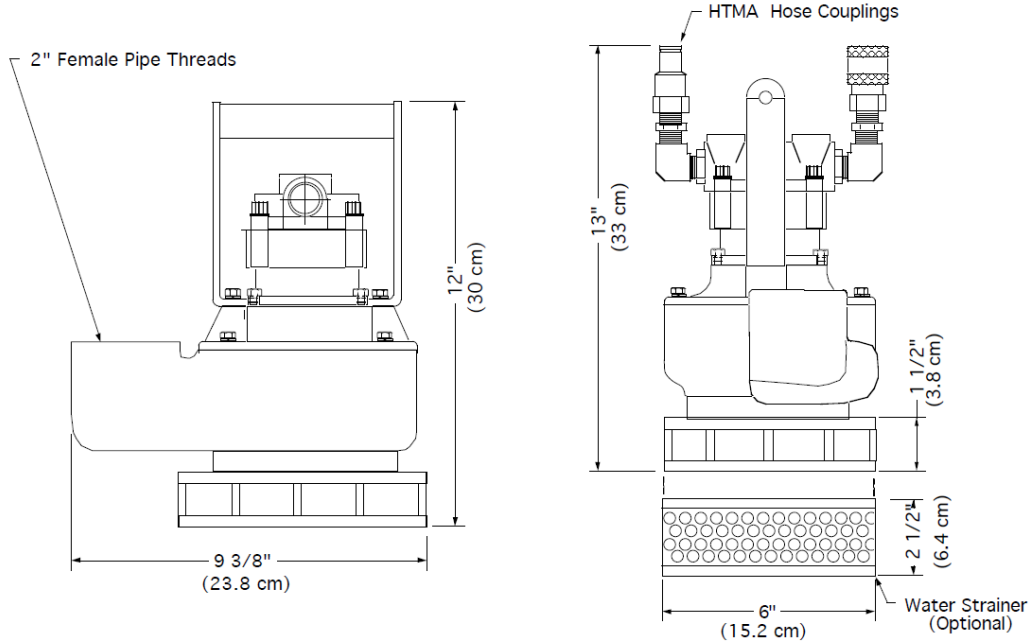
### SPECIFICATIONS

WEIGHT: (Aluminum Body).....	18 lbs. (7.7 kg)
(Ductile Iron Body).....	25 lbs. (11 kg)
HEIGHT:.....	13" (33 cm)
WIDTH (@ widest point):.....	9 3/8" (24 cm)
DISCHARGE:.....	2" NPT(F)
INLET FLANGE:.....	1 1/2" 125#
SOLIDS HANDLING:.....	1" (25 mm)
HOSE PORTS:..... (Pressure)	7/8-14 (-10) SAE
PUMP BODY: S2TCAL-2.....	Aluminum
S2TC-2.....	Ductile Iron
IMPELLER:.....	Ductile Iron
SHAFT:.....	Heat Treated Steel Alloy
SHAFT SEAL:.....	Carbon/Ceramic(Std)
ELASTOMERS:.....	Buna N (Std)
HYDRAULIC OIL:.....	214-320 s.s.u. @ 100°F (64°C)
INPUT FLOW:.....	Max. 6 GPM (10 LPM)
OPERATING PRESSURE:Cont. Max.	2000 PSI (136 Bar)
Int. Max:	2500 PSI (172 Bar)
POWER SOURCE:..	Any Open Center Hydraulic System

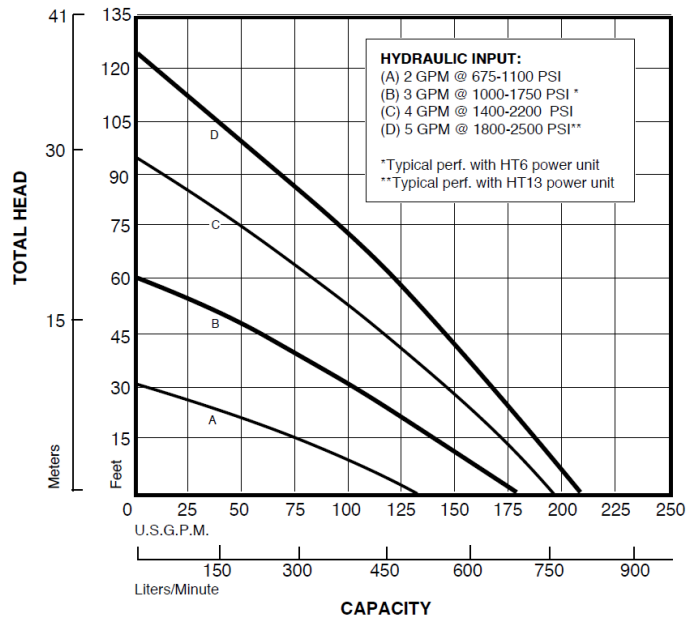
D0516

Specifications are subject to change without notice

## Model S2TC-2 Overall Dimensions



## S2TC-2 Typical Performance



Curves are based on pumping water at 60°F. For performance curves other than shown above, consult factory.