

2" HYDRAULIC SUBMERSIBLE TRASH PUMP

MODELS

S2T-2 (Ductile Iron Body)

S2TAL-2 (Aluminum Body)

S2TSS-2 (Stainless Steel Body)

2" (5 cm) Discharge

The S2T-2 is a very portable vortex impeller pump. This pump can handle stringy solids and can be used for jobs such as bilge pumping, jobsite dewatering, wastewater transfer, oil skimmers, vault pumping and grit chamber clean-outs.



* Ductile Iron shown with water strainer, aluminum with trash strainer



FEATURES

- Fully Recessed Vortex Impeller (will Pass 1 1/2" [3.8 cm] Semi-Solids)
- Standard gear motor with optional gerotor motor
- Variable Speed hydraulic drive
- Small, lightweight and versatile
- Can be bolted directly into a pipeline
- Standard trash strainer or optional water strainer
- Safe Hydraulic Drive can be used where electric power is hazardous or impractical
- Operates with our HT6 though HT13 power units or other hydraulic power sources capable of flows to 5 GPM

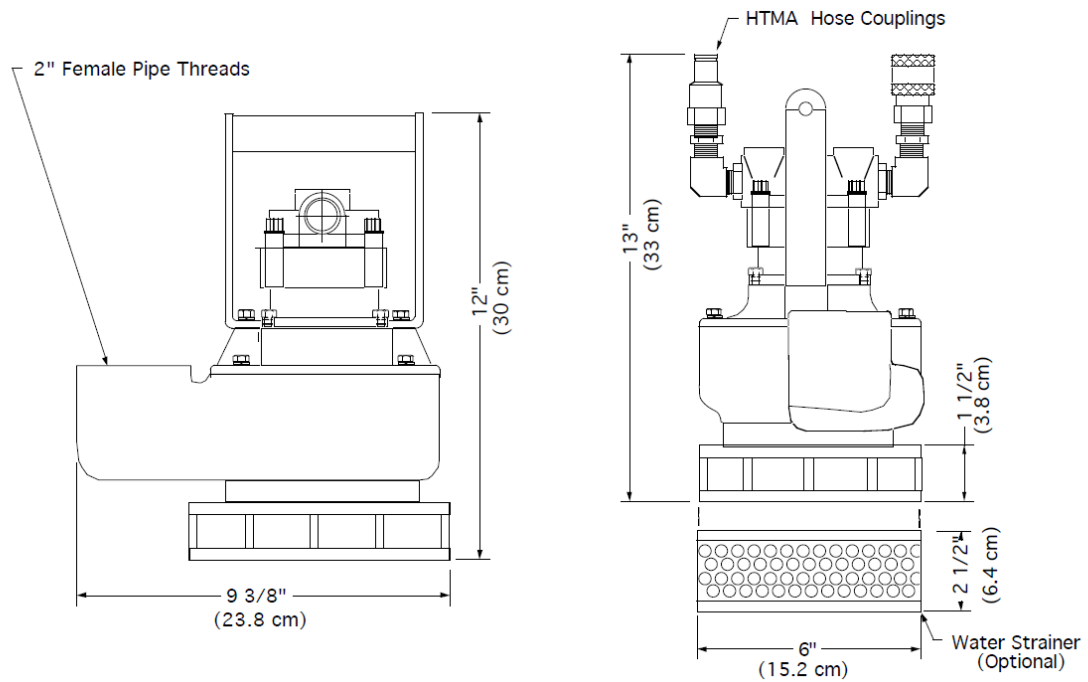
SPECIFICATIONS

WEIGHT: S2T-2.....	25 lbs. (11 kg)
S2TAL-2.....	17 lbs. (7.7 kg)
HEIGHT:.....	13" (33 cm)
WIDTH (@ widest point):.....	9 3/8" (24 cm)
DISCHARGE:.....	2" NPT(F)
INLET FLANGE:.....	1 1/2" 125#
SOLIDS HANDLING:.....	1 1/2" (3.8 cm)
HOSE PORTS:.....	3/8" SAE (-6) 'O' Ring
PUMP BODY: S2T-2.....	Ductile Iron
S2TAL-2.....	Aluminum
IMPELLER:.....	Ductile Iron/ SS option
SHAFT:.....	Heat Treated Steel Alloy
SHAFT SEAL:.....	Carbon/Ceramic (Std); Silicon Carbide(opt)
ELASTOMERS:.....	Buna N (Std)/ Viton option
HYDRAULIC OIL:.....	214-320 s.s.u. @ 100°F (64°C)
INPUT FLOW:.....	Max. 5 GPM (19 LPM)
OPERATINGGerotor motor Max:	2000 PSI (136 Bar)
PRESSURE:Standard Motor Max:	2500 PSI (172 Bar)
POWER SOURCE:.....	Any Open Center Hydraulic System

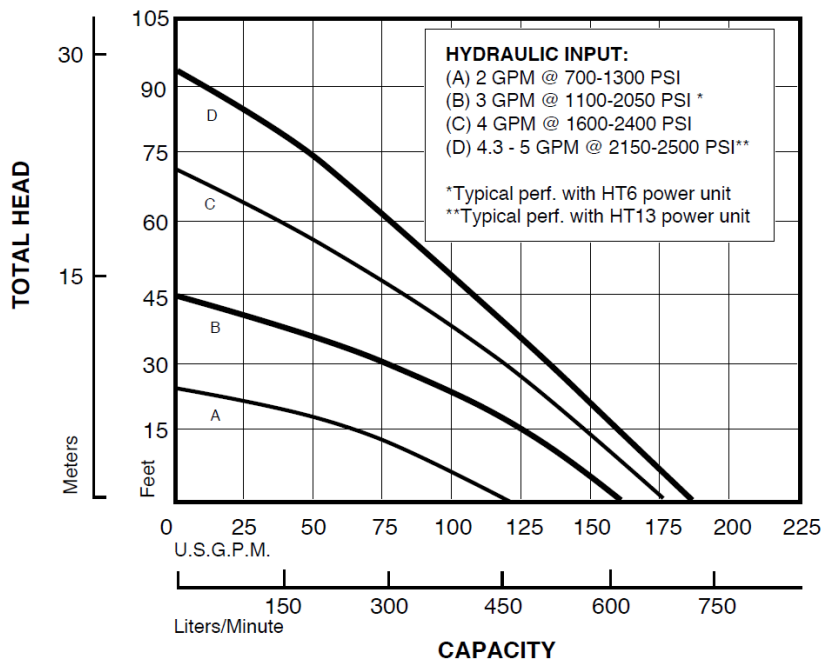
Specifications are subject to change without notice

A0920

Model S2T-2 Overall Dimensions



S2T-2 Typical Performance



Curves are based on pumping water at 60°F. For performance curves other than shown above, consult factory.



167 Stock Street, Nesquehoning, PA 18240 Phone: 570-645-3779 Fax: 570-645-4061
Website: www.hydra-tech.com E-Mail: htpump@hydra-tech.com