

1 1/2" HYDRAULIC SUBMERSIBLE SLIM-LINE PUMP

MODEL

S1.5A

1 1/2" (3.8 cm) Discharge

The S1.5A is designed to be used as a dewatering pump in areas where space is limited. Typical uses for this pump include manhole, vault, blasthole, mine and construction jobsite dewatering. Can be used for village water supplies in remote areas. Heads to 120 feet.



FEATURES

- Small Overall Size Allows Pump To Fit Through 6" Diameter Opening
- Oil Lubricated Seals (can run dry)
- Variable Speed hydraulic drive
- Stainless Steel Impeller resists wear
- Rubber Coated Suction Case resists abrasion
- Safe Hydraulic Drive can be used where electric power is hazardous or impractical
- Dependable gear type hydraulic motor
- Operates with our HT6 to HT13 power units or other hydraulic power sources capable of flows of 3-7 GPM
- Stainless Steel model available

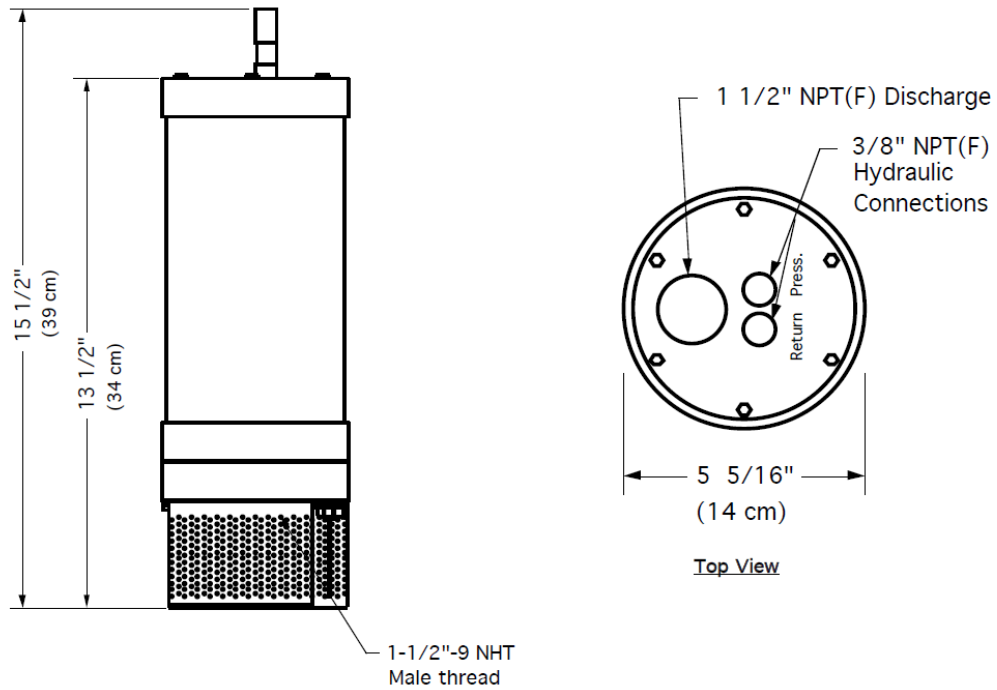
SPECIFICATIONS

WEIGHT:	17 lbs. (8 kg)
HEIGHT:.....	15 1/2" (39 cm)
DIAMETER:.....	5 5/16" (14 cm)
DISCHARGE:.....	1 1/2" , NPT(F)
SOLIDS HANDLING:.....	1/4" (.6cm)
HOSE PORTS:.....	3/8" NPT (F)
PUMP BODY:.....	Anodized Aluminum
IMPELLER:.....	Stainless Steel
SUCTION CASE:	Rubber Lined
SHAFT:.....	Stainless Steel
SHAFT SEAL:.....	Carbon / Ceramic
ELASTOMERS:.....	Buna N (Std)
HYDRAULIC OIL:.....	214-320 s.s.u. @ 100°F (64°C)
INPUT FLOW:.....	Max 7 GPM (26 LPM)
OPERATING PRESSURE:..	Max 2000 PSI (136 Bar)
POWER SOURCE:..	Any Open Center Hydraulic System

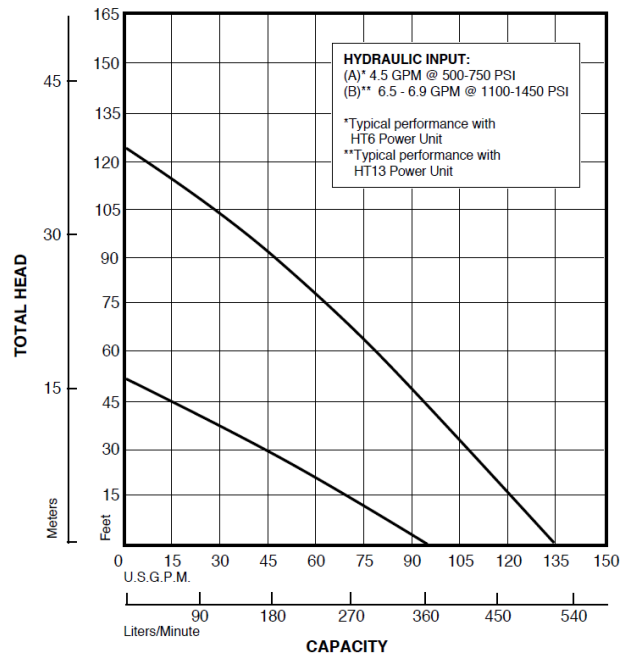
D0516

Specifications are subject to change without notice

Model S1.5A Overall Dimensions



S1.5A Typical Performance



Curves are based on pumping water at 60°F. For performance curves other than shown above, consult factory.



167 Stock Street, Nesquehoning, PA 18240 Phone: 570-645-3779 Fax: 570-645-4061
 Website: www.hydra-tech.com E-Mail: htpump@hydra-tech.com